



MASTER LEDspot LV

MASTER LED 7.5-50W+ 827 MR16 36D Dim CN

Delivering intense accent beam, MASTER LEDspot LV is an ideal retrofit solution for spot lighting. MASTER LEDspot LV is designed to replace halogen or incandescent spots. It realizes natural colors, enables cozy and comfortable ambience for residential, hospitality and emphasizes the beauty of merchandise in retail. New smaller housing provides perfect fitting with majority of luminaires in a market with a MR16 GU 5.3 holder. It not only employs Philips' patented solution to guarantee the broadest possible compatibility with standard 12V halogen electronic transformers, it also delivers high beam intensity which is equivalent to halogen MR16 spots. The dimming function enables to create the desired atmosphere and it works with broad selection of dimmers. Its high SDCM ensure stricter color consistency, that is maintained over product life. MASTER LEDspot LV delivers huge energy savings and minimizes maintenance cost without any compromise on light quality and lifetime, enabling residential and business owners to achieve a return on their investment within short period time.

Product data

General Information		Operating and Electrical	
Cap-Base	GU5.3	Correlated Color Temperature (Nom)	2700 K
Nominal lifetime	40,000 hour(s)	Luminous Efficacy (rated) (Nom)	88.00 lm/W
Switching Cycle	50,000	Color Consistency	<4
Lighting Technology	LED	Color rendering index (CRI)	80
EU RoHS compliant	Yes	LLMF At End Of Nominal Lifetime (Nom)	70 %
Light Technical		Line Frequency	- Hz
Color Code	827 [CCT of 2700K]	Input Frequency	- Hz
Beam Angle (Nom)	36 degree(s)	Power Consumption	7.5 W
Luminous Flux	660 lm	Lamp Current (Nom)	720 mA
Luminous Intensity (Nom)	1,700 cd	Wattage Equivalent	50 W
Color Designation	Warm White (WW)	Starting Time (Nom)	0.5 s

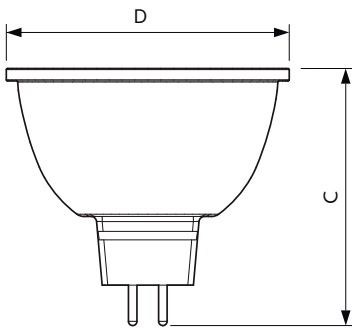
MASTER LEDspot LV

Warm-up time to 60% light	0.5 s
Power Factor (Fraction)	0.7
Voltage (Nom)	ac electronic 12 V
Temperature	
T-Case Maximum (Nom)	93 °C
Controls and Dimming	
Dimmable	Only with specific dimmers
Mechanical and Housing	
Bulb Shape	MR16
Approval and Application	
Suitable For Accent Lighting	Yes

Product Data

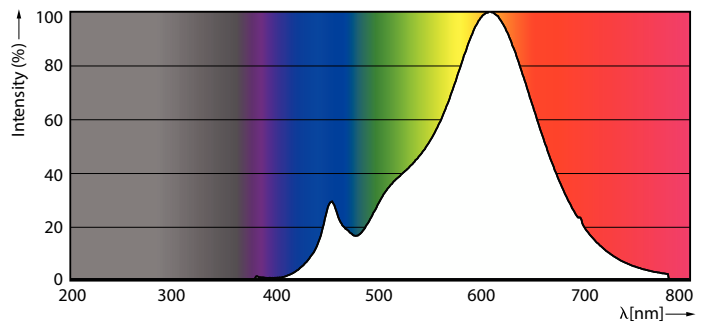
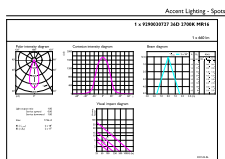
Order product name	MASTER LED 7.5-50W+ 827 MR16 36D Dim CN
Full product name	MASTER LED 7.5-50W+ 827 MR16 36D Dim CN
Full product code	692234193752100
Order code	929003072710
Material Nr. (12NC)	929003072710
Numerator - Quantity Per Pack	1
EAN/UPC - Product/Case	6922341937521
Numerator - Packs per outer box	10
EAN/UPC - Case	6922341937538

Dimensional drawing



Product	D	C
MASTER LED 7.5-50W+ 827 MR16 36D Dim CN	50 mm	46.5 mm

Photometric data

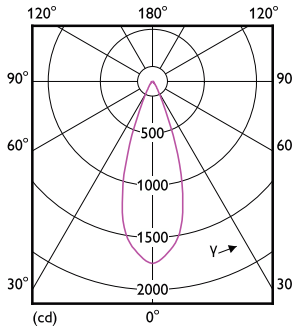


Accent Lighting Spots - MASTER LED 7.5-50W+ 827 MR16 36D Dim CN

Spectral Power Distribution Colour - MASTER LED 7.5-50W+ 827 MR16 36D Dim CN

MASTER LEDspot LV

Photometric data



Light Distribution Diagram - MASTER LED 7.5-50W+ 827 MR16 36D Dim CN

Lifetime



Life Expectancy Diagram - MASTER LED 7.5-50W+ 827 MR16 36D Dim CN



Lumen Maintenance Diagram - MASTER LED 7.5-50W+ 827 MR16 36D Dim CN

