



MASTER LEDspot LV



MAS LEDspotLV D 7.5-50W 930 MR16 24D

Delivering intense accent beam, MASTER LEDspot LV is an ideal retrofit solution for spot lighting. MASTER LEDspot LV is designed to replace halogen or incandescent spots. It realizes natural colors, enables cozy and comfortable ambience for residential, hospitality and emphasizes the beauty of merchandise in retail. New smaller housing provides perfect fitting with majority of luminaires in a market with a MR16 GU 5.3 holder. It not only employs Philips' patented solution to guarantee the broadest possible compatibility with standard 12V halogen electronic transformers, it also delivers high beam intensity which is equivalent to halogen MR16 spots. The dimming function enables to create the desired atmosphere and it works with broad selection of dimmers. Its high SDCM ensure stricter color consistency, that is maintained over product life. MASTER LEDspot LV delivers huge energy savings and minimizes maintenance cost without any compromise on light quality and lifetime, enabling residential and business owners to achieve a return on their investment within short period time.

Product data

General Information		Luminous Intensity (Nom)	
Cap-Base	GU5.3		4,000 cd
Nominal lifetime	40,000 hour(s)	Color Designation	White (WH)
Switching Cycle	50,000	Correlated Color Temperature (Nom)	3000 K
Lighting Technology	LED	Luminous Efficacy (rated) (Nom)	82.00 lm/W
Flux measurement reference	Narrow Cone	Color Consistency	<4
CE mark	Yes	Color rendering index (CRI)	90
EU RoHS compliant	Yes	LLMF At End Of Nominal Lifetime (Nom)	70 %
		Luminous Flux in 90° Cone (Rated)	621 lm
		Photobiological safety according to EN 62471	RG1
Light Technical		Operating and Electrical	
Color Code	930 [CCT of 3000K]	Line Frequency	- Hz
Beam Angle (Nom)	24 degree(s)	Input Frequency	- Hz
Luminous Flux	621 lm		

MASTER LEDspot LV

Power Consumption	7.5 W
Lamp Current (Nom)	720 mA
Wattage Equivalent	50 W
Starting Time (Nom)	0.5 s
Warm-up time to 60% light	0.5 s
Power Factor (Fraction)	0.7
Voltage (Nom)	ac electronic 12 V

Temperature

T-Case Maximum (Nom)	90 °C
----------------------	-------

Controls and Dimming

Dimmable	Only with specific dimmers
----------	----------------------------

Mechanical and Housing

Bulb Shape	MR16
------------	------

Approval and Application

Energy Efficiency Class	F
Suitable For Accent Lighting	Yes
Energy Consumption kWh/1000 h	8 kWh

EPREL Registration Number	465190
EyeComfort	Yes

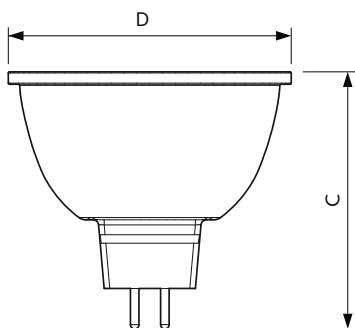
Application Conditions

can it be used in closed luminaires	No
-------------------------------------	----

Product Data

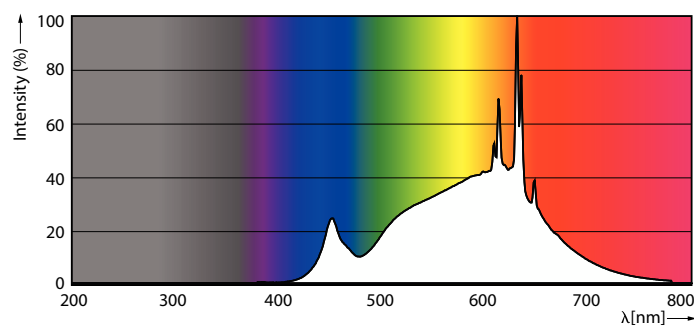
Order product name	MAS LEDspotLV D 7.5-50W 930 MR16 24D
Full product name	MAS LEDspotLV D 7.5-50W 930 MR16 24D
Full product code	871951430748300
Order code	929002492002
Material Nr. (12NC)	929002492002
Numerator - Quantity Per Pack	1
EAN/UPC - Product/Case	8719514307483
Numerator - Packs per outer box	10
EAN/UPC - Case	8719514307490

Dimensional drawing

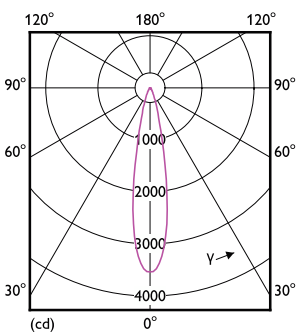


Product	D	C
MAS LEDspotLV D 7.5-50W 930 MR16 24D	50 mm	45.5 mm

Photometric data



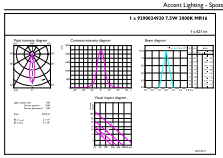
Spectral Power Distribution Colour - MAS LEDspotLV D 7.5-50W 930 MR16 24D



Light Distribution Diagram - MAS LEDspotLV D 7.5-50W 930 MR16 24D

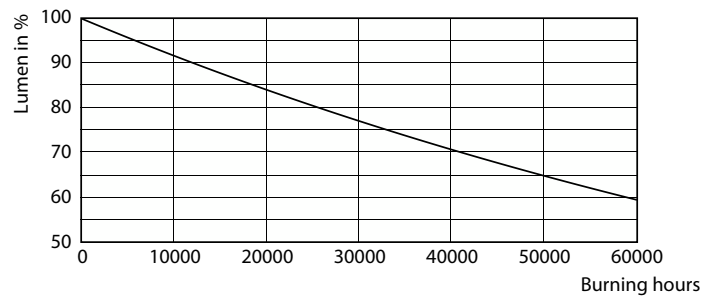
MASTER LEDspot LV

Photometric data



Accent Lighting Spots - MAS LEDspotLV D 7.5-50W 930 MR16 24D

Lifetime



Life Expectancy Diagram - MAS LEDspotLV D 7.5-50W 930 MR16 24D

Lumen Maintenance Diagram - MAS LEDspotLV D 7.5-50W 930 MR16 24D

