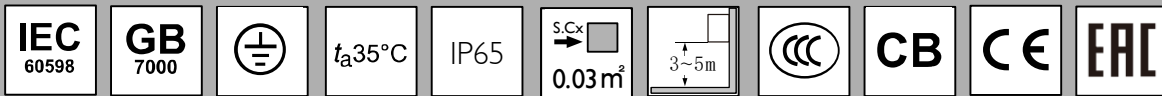


GreenUp Wellglass/ LED平台灯

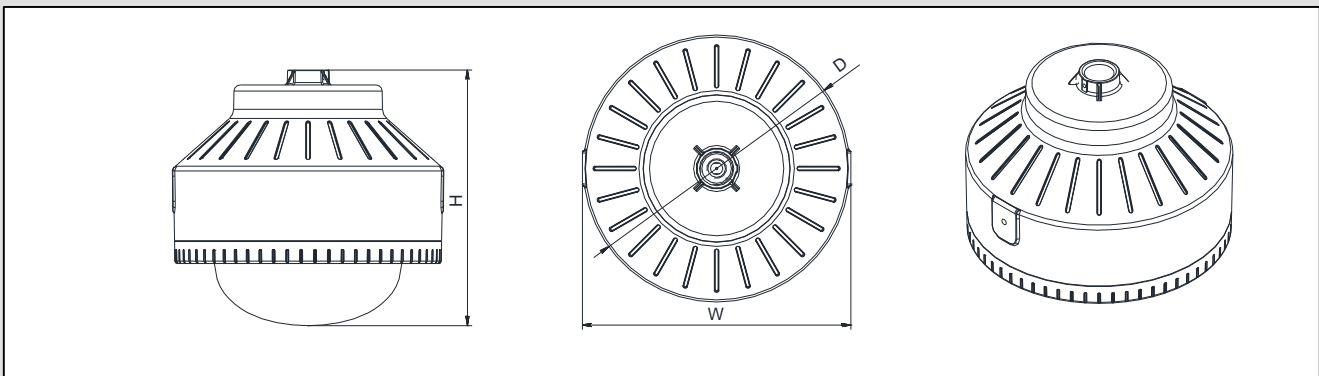
BY200P

Mounting instruction/ 安装说明

4441 000 08321



Product Type 型号	Voltage (v) 电压	Frequency (Hz) 频率	Power (w) 功率	CCT 色温	Dimension (mm) 尺寸 D*W*H	kg	Accessory 选配件
BY200P LED32 L-B/CW PSU	220-240~	50/60Hz	29W	6500K	ø215×218×205	2.3	BY200Z MB/支架组件 BY200Z WG/防护网组件
BY200P LED32 L-B/NW PSU				4000K			
BY200P LED44 L-B/CW PSU			40W	6500K	ø215×218×255	2.7	
BY200P LED44 L-B/NW PSU				4000K			



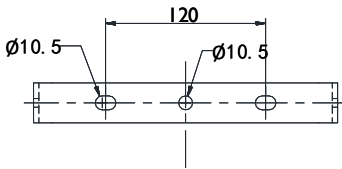
I Mounting/灯具安装

Bracket Mounting/支架安装 (BY200Z MB, Optional accessory/选配件)

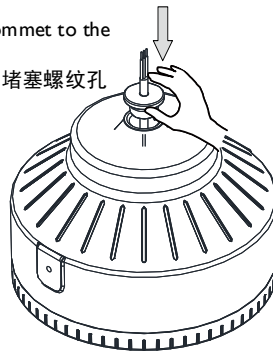


Bracket mounting is used for indoor only
支架安装仅限室内使用

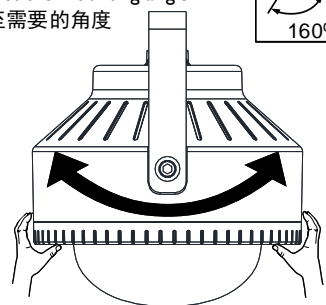
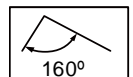
Mounting hole/安装孔位



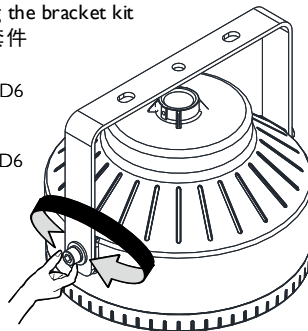
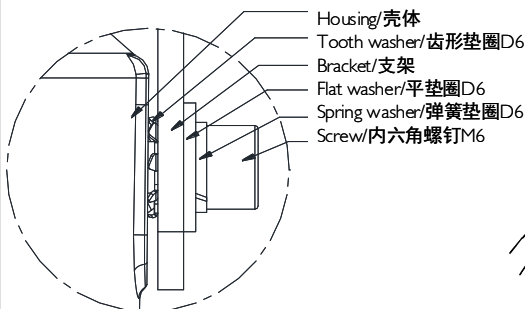
1. Mounting the grommet to the screw hole
安装橡胶塞至完全堵塞螺纹孔



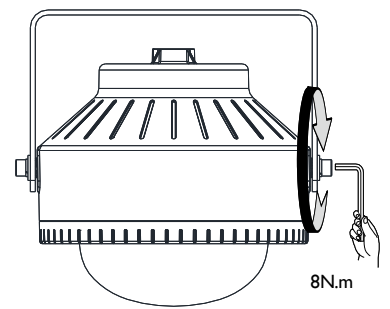
3. Adjust the mounting angle
调整至需要的角度



2. Mounting the bracket kit
安装支架套件



4. Lock screws with Allen key-5
用内六角扳手GB/T5356-5锁紧螺钉



Signify (China) Investment Co., Ltd.
Building No. 9, Lane 888 Tianlin Road, Minhang District, Shanghai, China
Postalcode: 200233

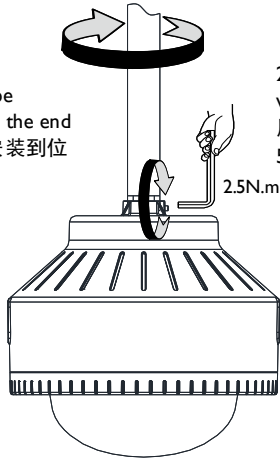
昕诺飞(中国)投资有限公司
中国上海市闵行区田林路888弄9号楼
邮编: 200233

PHILIPS

Philips and the Philips shield emblem are registered trademarks of Koninklijke Philips NV.

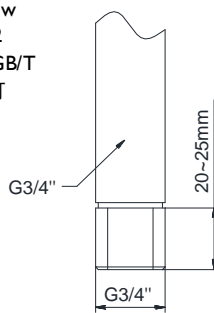
Pipe Mounting/管装

1. Must be mounted to the end of the pipe.
铁管必须安装到位



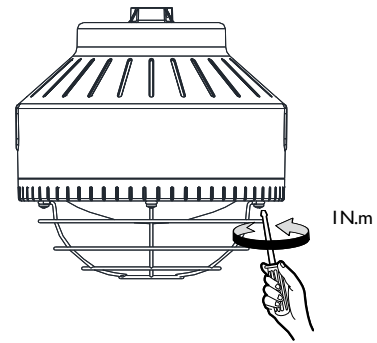
2. Lock the screw with Allen key-2
用内六角扳手GB/T 5356-2锁紧螺钉

Pipe dimension/
铁管尺寸



(The pipe is not provided/铁管不提供)

2 WG Mounting/防护网安装



(BY200Z WG/WG L, Optional accessory /选配件)

3 Cable Connection/导线连接

Please use IP65 or above cable connection box. It is not provided. The inside of the cable connection box should have a fixed device of wire.

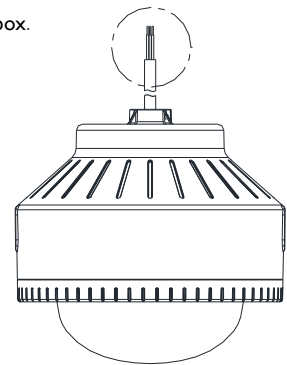
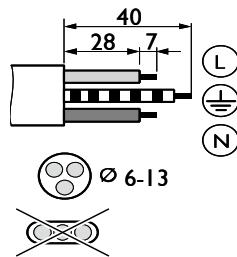
请使用IP65以上的接线盒，不提供。

接线盒内部应有固定导线的装置。

Power Cable / 外部接线: 外部3芯线定义如下:
60245IEC57 3×1.0~1.5mm² 棕Brown - L
黄绿YellowGreen - G
蓝Blue - N

Connect to customer's cable connection box.

连接至客户的接线盒



1. Please read this manual carefully before using the product. Please keep the manual for reference later.
使用本产品前，请先仔细阅读本手册，请保留本手册作为日后参照用。

2. The luminaire shall be installed by a qualified electrician and wired in accordance with the latest IEE electrical regulations or the national requirements.
灯具应由有资格的电工安装，接线要符合IEE电气标准或国家标准。

3. The luminaire must not be used at explosive atmosphere or explosive dust.
灯具不能用于爆炸性气体或粉尘环境。

4. The luminaire is designed for resisting wind force under unexpected condition. The luminaire shall not be used as floodlight, and the photometric of the luminaire is not designed for floodlighting.
本灯具结构设计为在非预期的使用条件下，可以抵抗风力造成的安全隐患，但不能把本系列灯具用作投光灯具，且本灯具的配光设计并不具有投光灯效果。

5. The cable of the luminaire should use "Z" type connection. The luminaire has to be scrapped if the wire broken.
灯具电源线使用Z型连接，电源线不可更换，损坏则灯具报废。

6. Please replace any cracked safety screen.
灯具钢化玻璃保护屏碎裂时请立即更换。

7. In order to ensure optimum performance, please clean the luminaire regularly (recommended twice a year). When cleaning the luminaire, please use soft cotton cloth only.
为了保持灯具明亮效果，请定期（半年一次）进行清洁。灯具不洁处需擦拭时，请用柔软布料擦拭。

8. The corrosive atmosphere or hazardous materials such as sulfur, chlorine, phthalate, etc must be avoided during the use and storage.
灯具避免在腐蚀性环境或者含有有害物质，例如硫化物，卤化物，邻苯二甲酸酯等环境中存储和使用。



The light source contained in this luminaire should only be replaced by manufacturer or his service agent or a similar qualified person.
此灯具内的光源由其供应商或其服务代理商或一个有类似资质的人来更换。



This marking indicates that this product should not be disposed with other household wastes throughout the EU. To prevent possible harm to the environment or human health from uncontrolled waste disposal, recycle it responsibly to promote the sustainable reuse of material resources. To return your used device, please use the return and collection systems or contact the retailer where the product was purchased. They can take this product for environmental safe recycling.