



An ideal solution for installers and customers who wish easy installation, visual comfort and excellent quality

Latam Downlight

Latam Downlight offers excellent experience for the consumer, which includes eye comfort, reliable quality and outstanding performance. Also provide water proof and dip switch solutions within this family. Providing integrated or separate driver and plenty CCT choices.

Benefits

- Comfortable LED light that's easy on eyes
- Long lifetime
- Reliable & Outstanding Performance

Features

- EyeComfort
- Safe to use & Reliable Quality
- High lumen output

Application

- Retail
- Offices
- Hospitality

Latam Downlight

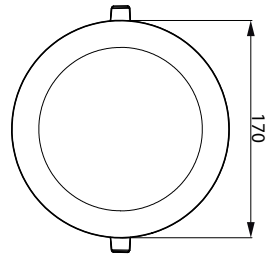
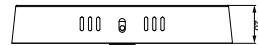
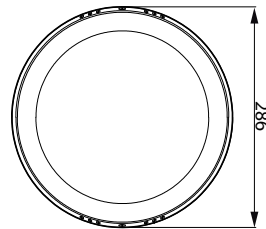
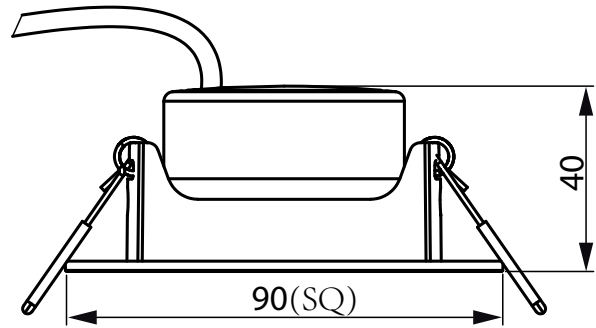
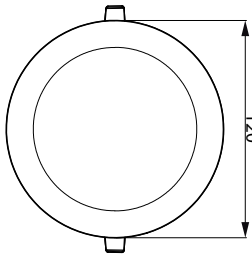
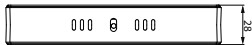
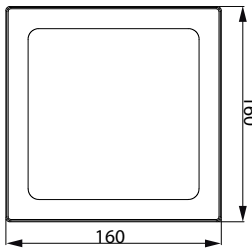
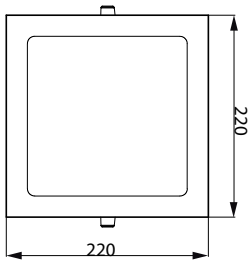
Versions



DL252-SQ-Surface-Mount-20241125

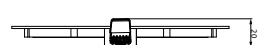
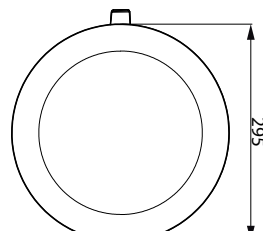
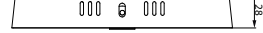
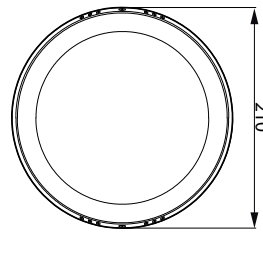
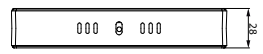
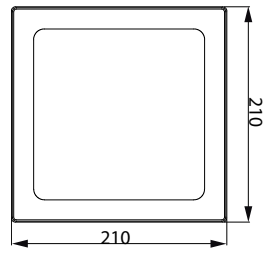
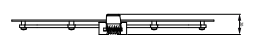
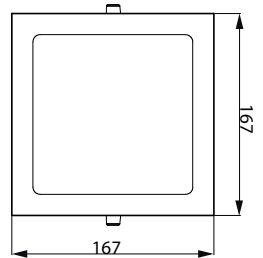
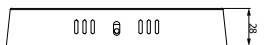
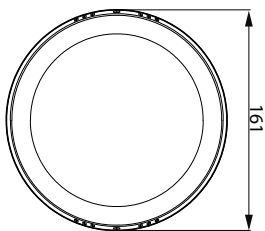
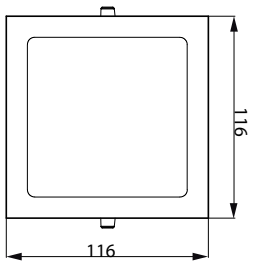
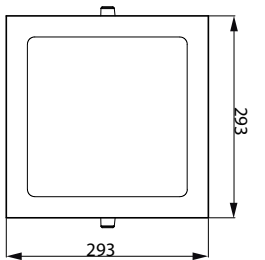
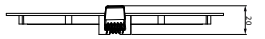
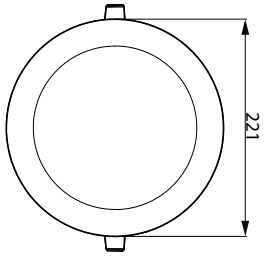
SL052 SQ SPOT WH MV 20240705

Dimensional drawing



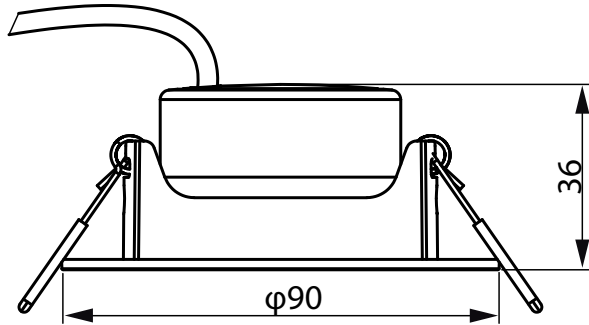
Latam Downlight

Dimensional drawing



Latam Downlight

Dimensional drawing



General Information

Driver included	Yes
Light source replaceable	No
Number of gear units	1 unit

Light Technical

Color rendering index (CRI)	80
-----------------------------	----

Operating and Electrical

Protection class IEC	Safety class II
Input Voltage	110 to 240 V
Suitable for random switching	No

Controls and Dimming

Dimmable	No
----------	----

Mechanical and Housing

Housing Color	White
Ingress protection code	IP20

Approval and Application

Ambient temperature range	-20 to +40 °C
Flammability mark	For mounting on normally flammable surfaces
Glow-wire test	Temperature 650 °C, duration 30 s

Light Technical (1/2)

Order Code	Full Product Name	Correlated Color Temperature (Nom)	Luminous Efficacy (rated) (Nom)	Luminous Flux	Number of light sources
929004655001	DL252 G2 SF RD 900 65K 12W 6" EMC	6500 K	75 lm/W	900 lm	1
929004655201	DL252 G2 SF RD 1300 40K 18W 8" EMC	4000 K	72 lm/W	1,300 lm	1
929004655301	DL252 G2 SF RD 1300 65K 18W 8" EMC	6500 K	72 lm/W	1,300 lm	1
929004655401	DL252 G2 SF RD 2000 65K 24W 11" EMC	6500 K	83 lm/W	2,000 lm	1
929004654101	DL252 G2 R SQ 400 30K 6W 4" EMC	3000 K	66 lm/W	400 lm	1
929004654201	DL252 G2 R SQ 400 65K 6W 4" EMC	6500 K	66 lm/W	400 lm	1
929004654301	DL252 G2 R SQ 900 30K 12W 6" EMC	3000 K	75 lm/W	900 lm	1
929004654401	DL252 G2 R SQ 900 65K 12W 6" EMC	6500 K	75 lm/W	900 lm	1
929004654501	DL252 G2 R SQ 1300 30K 18W 8" EMC	3000 K	72 lm/W	1,300 lm	1
929004654601	DL252 G2 R SQ 1300 65K 18W 8" EMC	6500 K	72 lm/W	1,300 lm	1
929004654701	DL252 G2 R SQ 2000 65K 24W 11" EMC	6500 K	83 lm/W	2,000 lm	1
929002654801	SL052 RD SPOT 070 4.2W 27K WH WV	2700 K	83 lm/W	350 lm	-
929002655001	SL052 RD SPOT 070 4.2W 65K WH WV	6500 K	90 lm/W	380 lm	-
929002655401	SL052 RD SPOT 070 6.2W 27K WH WV	2700 K	80 lm/W	500 lm	-
929002655601	SL052 RD SPOT 070 6.2W 65K WH WV	6500 K	88 lm/W	550 lm	-
929004653101	DL252 G2 R Rd 400 30K 6W 4" EMC	3000 K	66 lm/W	400 lm	1
929004653201	DL252 G2 R Rd 400 40K 6W 4" EMC	4000 K	66 lm/W	400 lm	1

Order Code	Full Product Name	Correlated Color Temperature (Nom)	Luminous Efficacy (rated) (Nom)	Luminous Flux	Number of light sources
929004653301	DL252 G2 R Rd 400 65K 6W 4" EMC	6500 K	66 lm/W	400 lm	1
929004653401	DL252 G2 R Rd 900 30K 12W 6" EMC	3000 K	75 lm/W	900 lm	1
929004653501	DL252 G2 R Rd 900 40K 12W 6" EMC	4000 K	75 lm/W	900 lm	1
929004653601	DL252 G2 R Rd 900 65K 12W 6" EMC	6500 K	75 lm/W	900 lm	1
929004653701	DL252 G2 R Rd 1300 30K 18W 8" EMC	3000 K	72 lm/W	1,300 lm	1
929004653801	DL252 G2 R Rd 1300 40K 18W 8" EMC	4000 K	72 lm/W	1,300 lm	1
929004653901	DL252 G2 R Rd 1300 65K 18W 8" EMC	6500 K	72 lm/W	1,300 lm	1
929004654001	DL252 G2 R Rd 2000 65K 24W 11" EMC	6500 K	83 lm/W	2,000 lm	1
929004655501	DL252 G2 SF SQ 900 65K 12W 6" EMC	6500 K	75 lm/W	900 lm	1
929004655601	DL252 G2 SF SQ 1300 65K 18W 8" EMC	6500 K	72 lm/W	1,300 lm	1
929002655101	SL052 SQ SPOT 070 4.2W 27K WH WV	2700 K	83 lm/W	350 lm	-
929002655301	SL052 SQ SPOT 070 4.2W 65K WH WV	6500 K	90 lm/W	380 lm	-
929002655701	SL052 SQ SPOT 070 6.2W 27K WH WV	2700 K	80 lm/W	500 lm	-
929002655901	SL052 SQ SPOT 070 6.2W 65K WH WV	6500 K	88 lm/W	550 lm	-

Light Technical (2/2)

Order Code	Full Product Name	Optic type	Order Code	Full Product Name	Optic type
929004655001	DL252 G2 SF RD 900 65K 12W 6" EMC	Wide beam	929004653201	DL252 G2 R Rd 400 40K 6W 4" EMC	Wide beam
929004655201	DL252 G2 SF RD 1300 40K 18W 8" EMC	Wide beam	929004653301	DL252 G2 R Rd 400 65K 6W 4" EMC	Wide beam
929004655301	DL252 G2 SF RD 1300 65K 18W 8" EMC	Wide beam	929004653401	DL252 G2 R Rd 900 30K 12W 6" EMC	Wide beam
929004655401	DL252 G2 SF RD 2000 65K 24W 11" EMC	Wide beam	929004653501	DL252 G2 R Rd 900 40K 12W 6" EMC	Wide beam
929004654101	DL252 G2 R SQ 400 30K 6W 4" EMC	Wide beam	929004653601	DL252 G2 R Rd 900 65K 12W 6" EMC	Wide beam
929004654201	DL252 G2 R SQ 400 65K 6W 4" EMC	Wide beam	929004653701	DL252 G2 R Rd 1300 30K 18W 8" EMC	Wide beam
929004654301	DL252 G2 R SQ 900 30K 12W 6" EMC	Wide beam	929004653801	DL252 G2 R Rd 1300 40K 18W 8" EMC	Wide beam
929004654401	DL252 G2 R SQ 900 65K 12W 6" EMC	Wide beam	929004653901	DL252 G2 R Rd 1300 65K 18W 8" EMC	Wide beam
929004654501	DL252 G2 R SQ 1300 30K 18W 8" EMC	Wide beam	929004654001	DL252 G2 R Rd 2000 65K 24W 11" EMC	Wide beam
929004654601	DL252 G2 R SQ 1300 65K 18W 8" EMC	Wide beam	929004655501	DL252 G2 SF SQ 900 65K 12W 6" EMC	Wide beam
929004654701	DL252 G2 R SQ 2000 65K 24W 11" EMC	Wide beam	929004655601	DL252 G2 SF SQ 1300 65K 18W 8" EMC	Wide beam
929002654801	SL052 RD SPOT 070 4.2W 27K WH WV	Narrow beam	929002655101	SL052 SQ SPOT 070 4.2W 27K WH WV	Narrow beam
929002655001	SL052 RD SPOT 070 4.2W 65K WH WV	Narrow beam	929002655301	SL052 SQ SPOT 070 4.2W 65K WH WV	Narrow beam
929002655401	SL052 RD SPOT 070 6.2W 27K WH WV	Narrow beam	929002655701	SL052 SQ SPOT 070 6.2W 27K WH WV	Narrow beam
929002655601	SL052 RD SPOT 070 6.2W 65K WH WV	Narrow beam	929002655901	SL052 SQ SPOT 070 6.2W 65K WH WV	Narrow beam
929004653101	DL252 G2 R Rd 400 30K 6W 4" EMC	Wide beam			

Operating and Electrical

Latam Downlight

Order Code	Full Product Name	Line Frequency	Power Consumption
929004655001	DL252 G2 SF RD 900 65K 12W 6" EMC	-	12 W
929004655201	DL252 G2 SF RD 1300 40K 18W 8" EMC	-	18 W
929004655301	DL252 G2 SF RD 1300 65K 18W 8" EMC	-	18 W
929004655401	DL252 G2 SF RD 2000 65K 24W 11" EMC	-	24 W
929004654101	DL252 G2 R SQ 400 30K 6W 4" EMC	-	6 W
929004654201	DL252 G2 R SQ 400 65K 6W 4" EMC	-	6 W
929004654301	DL252 G2 R SQ 900 30K 12W 6" EMC	-	12 W
929004654401	DL252 G2 R SQ 900 65K 12W 6" EMC	-	12 W
929004654501	DL252 G2 R SQ 1300 30K 18W 8" EMC	-	18 W
929004654601	DL252 G2 R SQ 1300 65K 18W 8" EMC	-	18 W
929004654701	DL252 G2 R SQ 2000 65K 24W 11" EMC	-	24 W
929002654801	SL052 RD SPOT 070 4.2W 27K WH WV	-	4.2 W
929002655001	SL052 RD SPOT 070 4.2W 65K WH WV	-	4.2 W
929002655401	SL052 RD SPOT 070 6.2W 27K WH WV	50 or 60 Hz	6.2 W
929002655601	SL052 RD SPOT 070 6.2W 65K WH WV	50 or 60 Hz	6.2 W
929004653101	DL252 G2 R Rd 400 30K 6W 4" EMC	-	6 W

Order Code	Full Product Name	Line Frequency	Power Consumption
929004653201	DL252 G2 R Rd 400 40K 6W 4" EMC	-	6 W
929004653301	DL252 G2 R Rd 400 65K 6W 4" EMC	-	6 W
929004653401	DL252 G2 R Rd 900 30K 12W 6" EMC	-	12 W
929004653501	DL252 G2 R Rd 900 40K 12W 6" EMC	-	12 W
929004653601	DL252 G2 R Rd 900 65K 12W 6" EMC	-	12 W
929004653701	DL252 G2 R Rd 1300 30K 18W 8" EMC	-	18 W
929004653801	DL252 G2 R Rd 1300 40K 18W 8" EMC	-	18 W
929004653901	DL252 G2 R Rd 1300 65K 18W 8" EMC	-	18 W
929004654001	DL252 G2 R Rd 2000 65K 24W 11" EMC	-	24 W
929004655501	DL252 G2 SF SQ 900 65K 12W 6" EMC	-	12 W
929004655601	DL252 G2 SF SQ 1300 65K 18W 8" EMC	-	18 W
929002655101	SL052 SQ SPOT 070 4.2W 27K WH WV	-	4.2 W
929002655301	SL052 SQ SPOT 070 4.2W 65K WH WV	-	4.2 W
929002655701	SL052 SQ SPOT 070 6.2W 27K WH WV	-	6.2 W
929002655901	SL052 SQ SPOT 070 6.2W 65K WH WV	-	6.2 W

Mechanical and Housing

Order Code	Full Product Name	Mech. impact protection code
929004655001	DL252 G2 SF RD 900 65K 12W 6" EMC	IK01
929004655201	DL252 G2 SF RD 1300 40K 18W 8" EMC	IK01
929004655301	DL252 G2 SF RD 1300 65K 18W 8" EMC	IK01
929004655401	DL252 G2 SF RD 2000 65K 24W 11" EMC	IK01
929004654101	DL252 G2 R SQ 400 30K 6W 4" EMC	IK01
929004654201	DL252 G2 R SQ 400 65K 6W 4" EMC	IK01
929004654301	DL252 G2 R SQ 900 30K 12W 6" EMC	IK01
929004654401	DL252 G2 R SQ 900 65K 12W 6" EMC	IK01
929004654501	DL252 G2 R SQ 1300 30K 18W 8" EMC	IK01
929004654601	DL252 G2 R SQ 1300 65K 18W 8" EMC	IK01
929004654701	DL252 G2 R SQ 2000 65K 24W 11" EMC	IK01
929002654801	SL052 RD SPOT 070 4.2W 27K WH WV	IK03
929002655001	SL052 RD SPOT 070 4.2W 65K WH WV	IK03
929002655401	SL052 RD SPOT 070 6.2W 27K WH WV	IK03

Order Code	Full Product Name	Mech. impact protection code
929002655601	SL052 RD SPOT 070 6.2W 65K WH WV	IK03
929004653101	DL252 G2 R Rd 400 30K 6W 4" EMC	IK01
929004653201	DL252 G2 R Rd 400 40K 6W 4" EMC	IK01
929004653301	DL252 G2 R Rd 400 65K 6W 4" EMC	IK01
929004653401	DL252 G2 R Rd 900 30K 12W 6" EMC	IK01
929004653501	DL252 G2 R Rd 900 40K 12W 6" EMC	IK01
929004653601	DL252 G2 R Rd 900 65K 12W 6" EMC	IK01
929004653701	DL252 G2 R Rd 1300 30K 18W 8" EMC	IK01
929004653801	DL252 G2 R Rd 1300 40K 18W 8" EMC	IK01
929004653901	DL252 G2 R Rd 1300 65K 18W 8" EMC	IK01
929004654001	DL252 G2 R Rd 2000 65K 24W 11" EMC	IK01
929004655501	DL252 G2 SF SQ 900 65K 12W 6" EMC	IK01
929004655601	DL252 G2 SF SQ 1300 65K 18W 8" EMC	IK01
929002655101	SL052 SQ SPOT 070 4.2W 27K WH WV	IK03

Latam Downlight

Order Code	Full Product Name	Mech. impact protection code
929002655301	SL052 SQ SPOT 070 4.2W 65K WH WV	IK03
929002655701	SL052 SQ SPOT 070 6.2W 27K WH WV	IK03

Order Code	Full Product Name	Mech. impact protection code
929002655901	SL052 SQ SPOT 070 6.2W 65K WH WV	IK03

Initial Performance (IEC Compliant)

Order Code	Full Product Name	Initial chromaticity	Luminous flux tolerance
929004655001	DL252 G2 SF RD 900 65K 12W 6" EMC	(0.313, 0.337) <6SDCM	+/-10%
929004655201	DL252 G2 SF RD 1300 40K 18W 8" EMC	(0.380, 0.380) <6SDCM	+/-10%
929004655301	DL252 G2 SF RD 1300 65K 18W 8" EMC	(0.313, 0.337) <6SDCM	+/-10%
929004655401	DL252 G2 SF RD 2000 65K 24W 11" EMC	(0.313, 0.337) <6SDCM	+/-10%
929004654101	DL252 G2 R SQ 400 30K 6W 4" EMC	(0.440, 0.403) <6SDCM	+/-10%
929004654201	DL252 G2 R SQ 400 65K 6W 4" EMC	(0.313, 0.337) <6SDCM	+/-10%
929004654301	DL252 G2 R SQ 900 30K 12W 6" EMC	(0.440, 0.403) <6SDCM	+/-10%
929004654401	DL252 G2 R SQ 900 65K 12W 6" EMC	(0.313, 0.337) <6SDCM	+/-10%
929004654501	DL252 G2 R SQ 1300 30K 18W 8" EMC	(0.440, 0.403) <6SDCM	+/-10%
929004654601	DL252 G2 R SQ 1300 65K 18W 8" EMC	(0.313, 0.337) <6SDCM	+/-10%
929004654701	DL252 G2 R SQ 2000 65K 24W 11" EMC	(0.313, 0.337) <6SDCM	+/-10%
929002654801	SL052 RD SPOT 070 4.2W 27K WH WV	((, 0.463, 0.42)) 6SDCM	-10% / +25%
929002655001	SL052 RD SPOT 070 4.2W 65K WH WV	((, 0.313, 0.337)) 6SDCM	-10% / +25%
929002655401	SL052 RD SPOT 070 6.2W 27K WH WV	((, 0.457, 0.41)) 6SDCM	-10+25
929002655601	SL052 RD SPOT 070 6.2W 65K WH WV	((, 0.312, 0.328)) 6SDCM	-10+25
929004653101	DL252 G2 R Rd 400 30K 6W 4" EMC	(0.440, 0.403) <6SDCM	+/-10%

Order Code	Full Product Name	Initial chromaticity	Luminous flux tolerance
929004653201	DL252 G2 R Rd 400 40K 6W 4" EMC	(0.380, 0.380) <6SDCM	+/-10%
929004653301	DL252 G2 R Rd 400 65K 6W 4" EMC	(0.313, 0.337) <6SDCM	+/-10%
929004653401	DL252 G2 R Rd 900 30K 12W 6" EMC	(0.440, 0.403) <6SDCM	+/-10%
929004653501	DL252 G2 R Rd 900 40K 12W 6" EMC	(0.380, 0.380) <6SDCM	+/-10%
929004653601	DL252 G2 R Rd 900 65K 12W 6" EMC	(0.313, 0.337) <6SDCM	+/-10%
929004653701	DL252 G2 R Rd 1300 30K 18W 8" EMC	(0.440, 0.403) <6SDCM	+/-10%
929004653801	DL252 G2 R Rd 1300 40K 18W 8" EMC	(0.380, 0.380) <6SDCM	+/-10%
929004653901	DL252 G2 R Rd 1300 65K 18W 8" EMC	(0.313, 0.337) <6SDCM	+/-10%
929004654001	DL252 G2 R Rd 2000 65K 24W 11" EMC	(0.313, 0.337) <6SDCM	+/-10%
929004655501	DL252 G2 SF SQ 900 65K 12W 6" EMC	(0.313, 0.337) <6SDCM	+/-10%
929004655601	DL252 G2 SF SQ 1300 65K 18W 8" EMC	(0.313, 0.337) <6SDCM	+/-10%
929002655101	SL052 SQ SPOT 070 4.2W 27K WH WV	((, 0.463, 0.42)) 6SDCM	-10% / +25%
929002655301	SL052 SQ SPOT 070 4.2W 65K WH WV	((, 0.313, 0.337)) 6SDCM	-10% / +25%
929002655701	SL052 SQ SPOT 070 6.2W 27K WH WV	((, 0.457, 0.41)) 6SDCM	-10% / +25%
929002655901	SL052 SQ SPOT 070 6.2W 65K WH WV	((, 0.312, 0.328)) 6SDCM	-10% / +25%

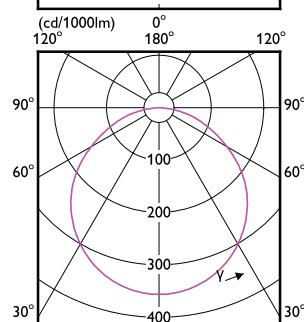
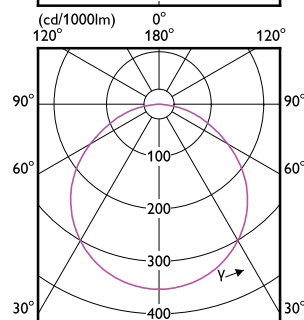
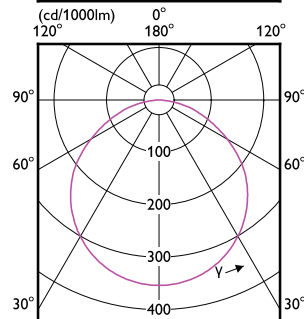
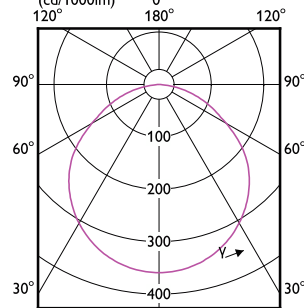
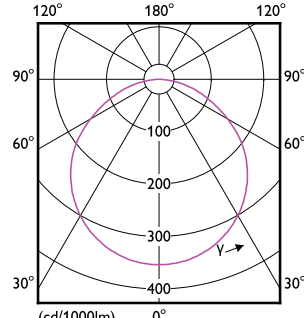
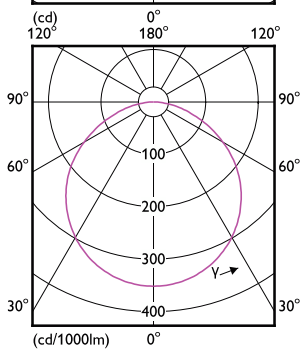
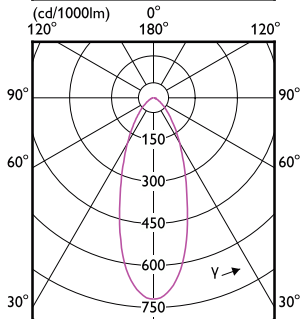
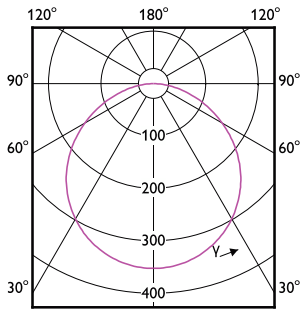
Over Time Performance (IEC Compliant)

Order Code	Full Product Name	Driver failure rate at 5000 h
929004655001	DL252 G2 SF RD 900 65K 12W 6" EMC	-
929004655201	DL252 G2 SF RD 1300 40K 18W 8" EMC	-
929004655301	DL252 G2 SF RD 1300 65K 18W 8" EMC	-
929004655401	DL252 G2 SF RD 2000 65K 24W 11" EMC	-
929004654101	DL252 G2 R SQ 400 30K 6W 4" EMC	-
929004654201	DL252 G2 R SQ 400 65K 6W 4" EMC	-

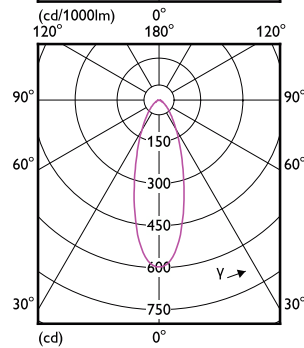
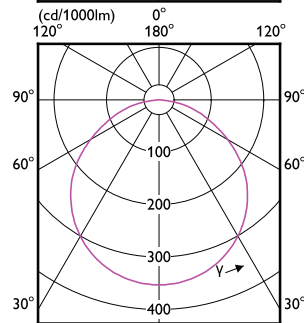
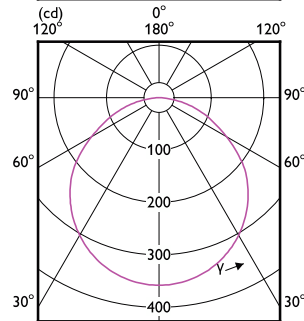
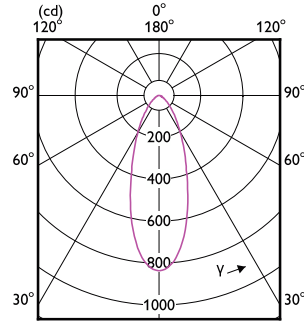
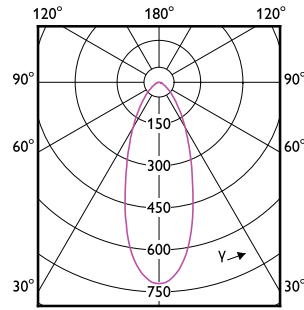
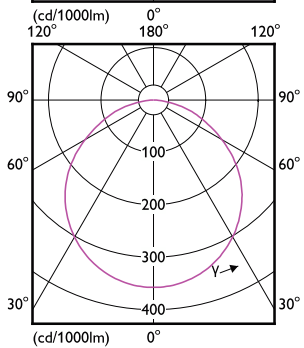
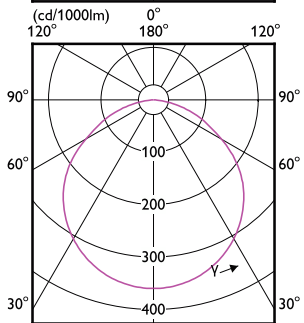
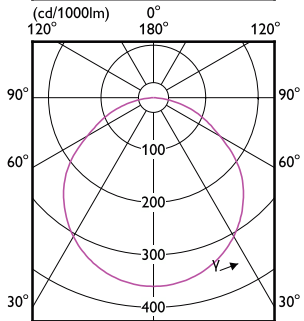
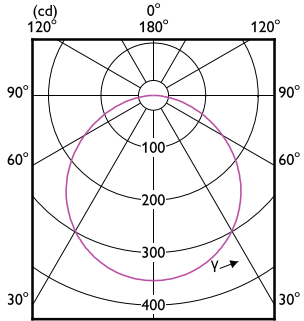
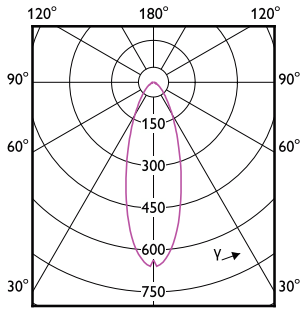
Order Code	Full Product Name	Driver failure rate at 5000 h
929004654301	DL252 G2 R SQ 900 30K 12W 6" EMC	-
929004654401	DL252 G2 R SQ 900 65K 12W 6" EMC	-
929004654501	DL252 G2 R SQ 1300 30K 18W 8" EMC	-
929004654601	DL252 G2 R SQ 1300 65K 18W 8" EMC	-
929004654701	DL252 G2 R SQ 2000 65K 24W 11" EMC	-
929002654801	SL052 RD SPOT 070 4.2W 27K WH WV	5 %

Latam Downlight

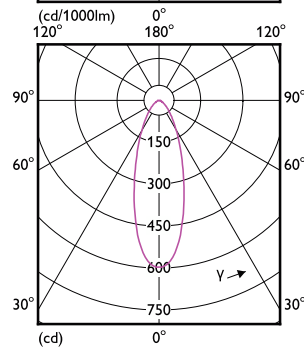
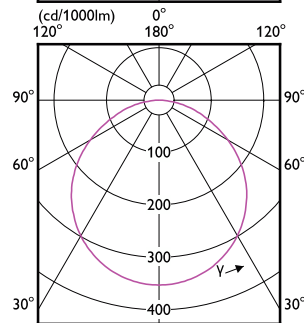
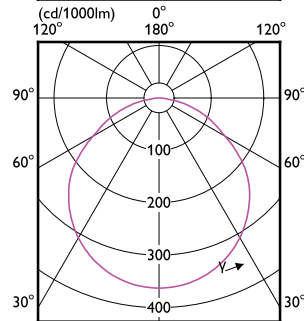
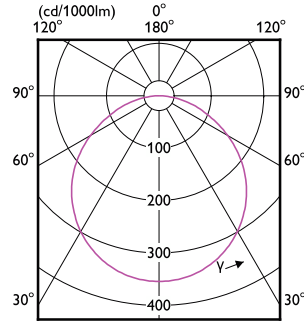
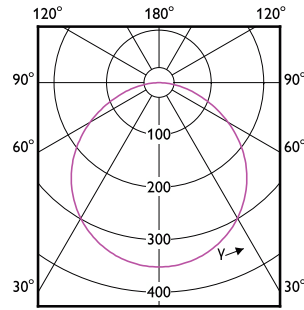
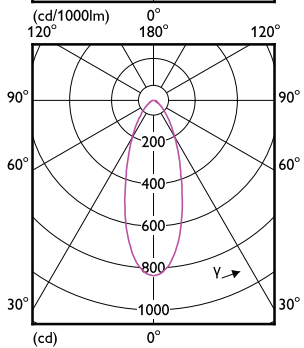
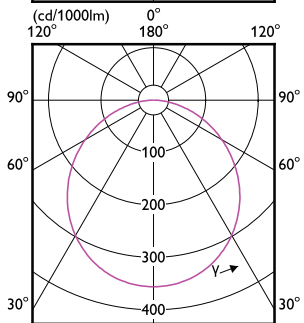
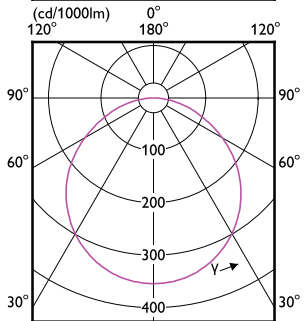
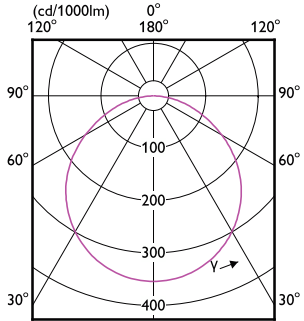
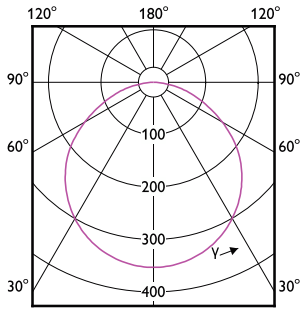
Order Code	Full Product Name	Driver failure rate at 5000 h
929002655001	SL052 RD SPOT 070 4.2W 65K WH WV	5 %
929002655401	SL052 RD SPOT 070 6.2W 27K WH WV	5
929002655601	SL052 RD SPOT 070 6.2W 65K WH WV	5
929004653101	DL252 G2 R Rd 400 30K 6W 4" EMC	-
929004653201	DL252 G2 R Rd 400 40K 6W 4" EMC	-
929004653301	DL252 G2 R Rd 400 65K 6W 4" EMC	-
929004653401	DL252 G2 R Rd 900 30K 12W 6" EMC	-
929004653501	DL252 G2 R Rd 900 40K 12W 6" EMC	-
929004653601	DL252 G2 R Rd 900 65K 12W 6" EMC	-
929004653701	DL252 G2 R Rd 1300 30K 18W 8" EMC	-
929004653801	DL252 G2 R Rd 1300 40K 18W 8" EMC	-
929004653901	DL252 G2 R Rd 1300 65K 18W 8" EMC	-
929004654001	DL252 G2 R Rd 2000 65K 24W 11" EMC	-
929004655501	DL252 G2 SF SQ 900 65K 12W 6" EMC	-
929004655601	DL252 G2 SF SQ 1300 65K 18W 8" EMC	-
929002655101	SL052 SQ SPOT 070 4.2W 27K WH WV	5 %
929002655301	SL052 SQ SPOT 070 4.2W 65K WH WV	5 %
929002655701	SL052 SQ SPOT 070 6.2W 27K WH WV	5 %
929002655901	SL052 SQ SPOT 070 6.2W 65K WH WV	5 %



Latam Downlight



Latam Downlight



Latam Downlight

