

Installation Instructions

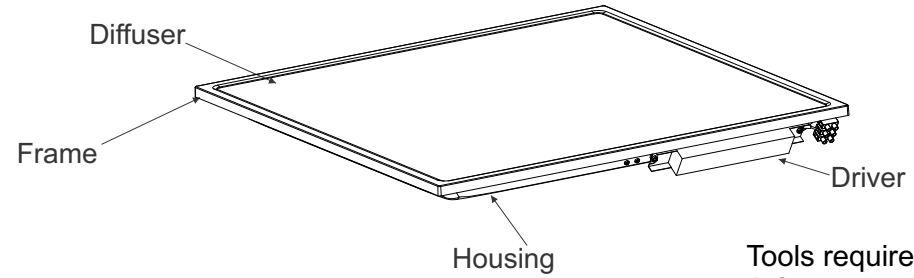
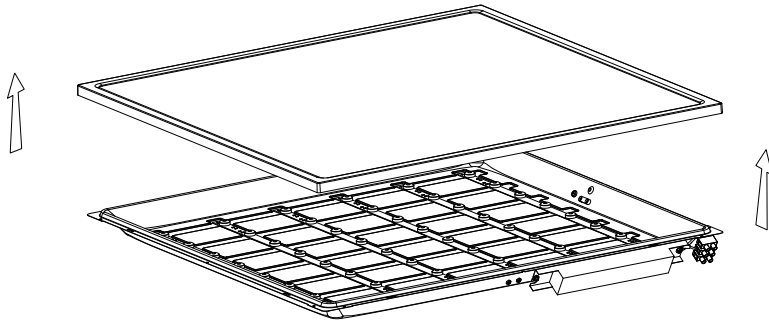
PHILIPS

FULL GLOW RC380 G6
Recessed



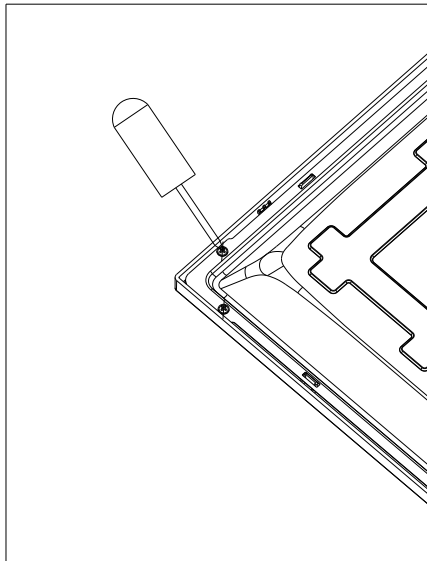
THIS LUMINAIRE MUST BE EARTHED

Diffuser frame can be opened,
Only for any servicing work, but not recommended

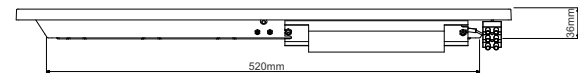
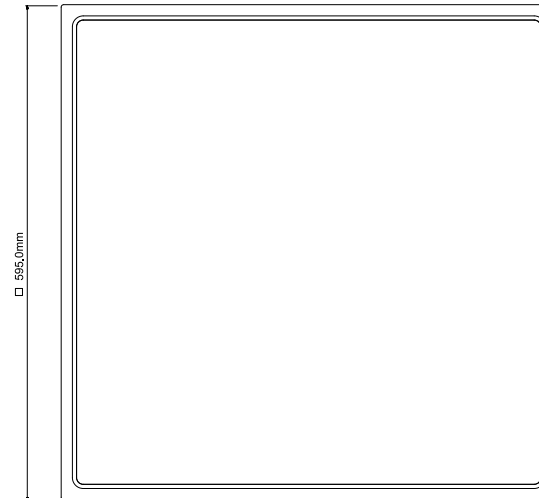


Tools required for installation:
1-Screw Driver

Unscrew frame from 12N of screws to access
product from inside.



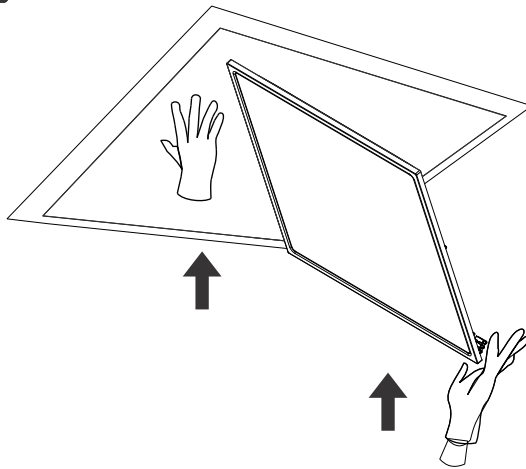
Product Dimensions



4415 109 27570

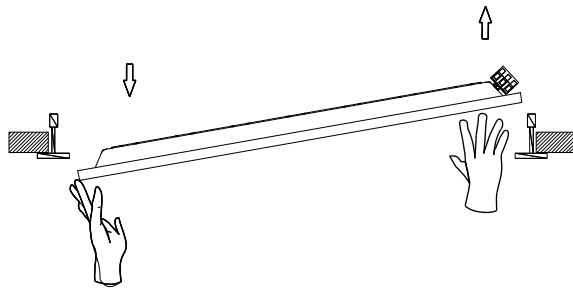
! ATTENTION: Install in accordance with national and local building and electrical codes.

1

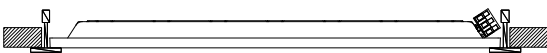


Complete electrical connection, then push luminaire inside ceiling grid keeping driver side up.

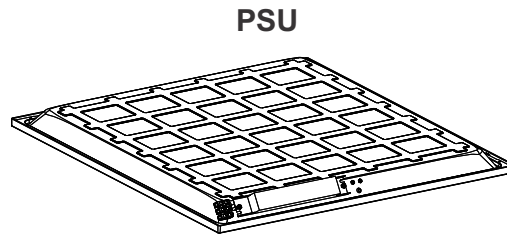
3



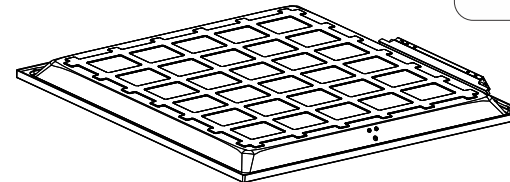
Place luminaire gently on the T-section of ceiling grid



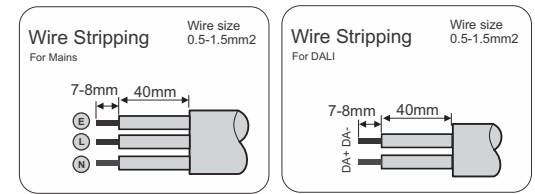
2



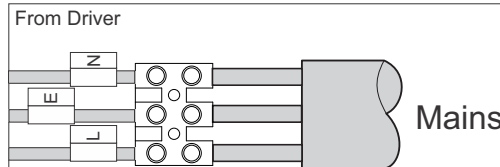
PSU



PSD

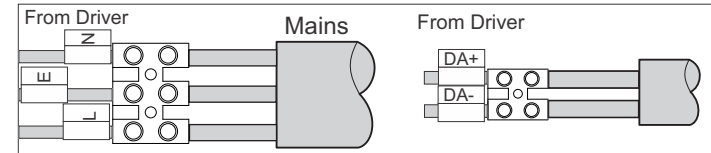


FOR PSU SERIES



Connect 3 wires L, N, & E in 3 Pole Terminal connector.

FOR PSD SERIES



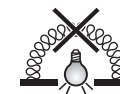
Connect 3 wires L, N, & E in 3 Pole Terminal connector. Connect 2 wires for Dali+ & Dali- in 2 Pole terminal connector

NOTE: DO NOT OPEN ANY SCREWS



Luminaire is ready for operation.

!



The Luminaire shall, under no circumstances, be covered with any insulating material. It will harm the system

