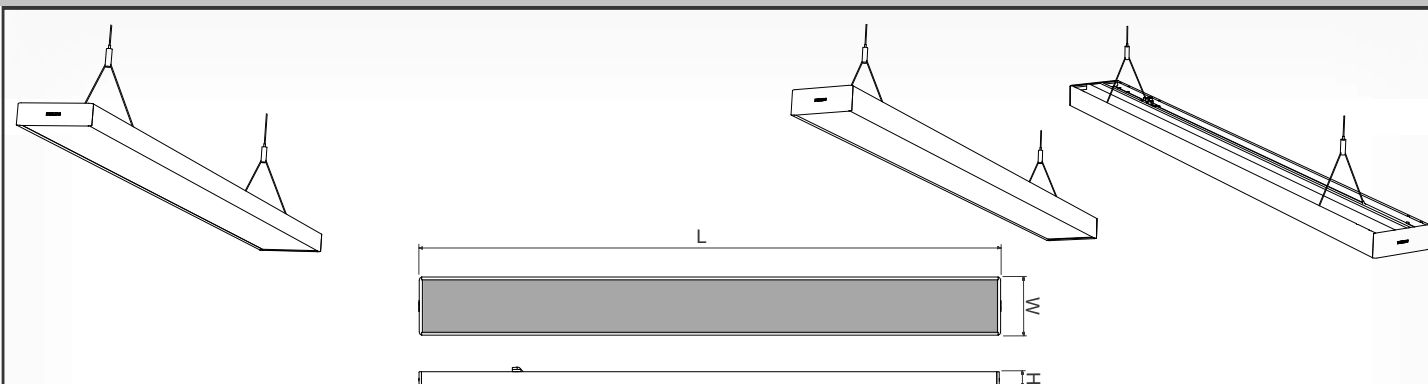
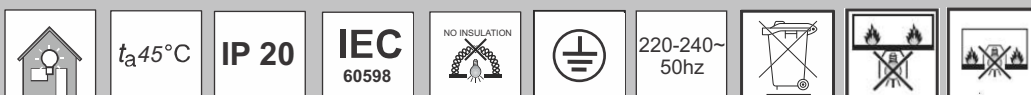


FlatLay

SP570P/X, SP571P/X

Mounting Instruction

441510927640

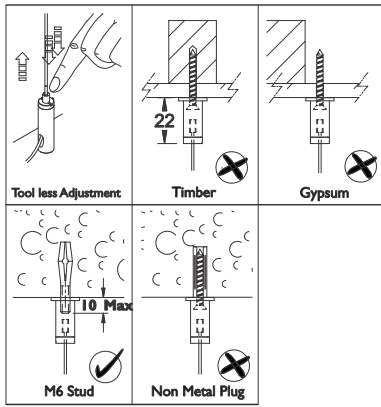


Type	Dimensions L x W x H (mm)	Voltage	Frequency	Kg
SP570P W12L120 OD	1200 (±1.2) x 120 x 33	220-240V~	50Hz	2.30
SP570P W12L120 OC	1200 (±1.2) x 120 x 33	220-240V~	50Hz	1.90
SP571P W12L120 OD	1200 (±1.2) x 120 x 45	220-240V~	50Hz	2.80
SP571P W12L120 OC	1200 (±1.2) x 120 x 45	220-240V~	50Hz	2.40
SP570X W12L120 OD	1190 (±1.2) x 120 x 33	220-240V~	50Hz	2.25
SP570X W12L120 OC	1190 (±1.2) x 120 x 33	220-240V~	50Hz	1.85
SP571X W12L120 OD	1190 (±1.2) x 120 x 45	220-240V~	50Hz	2.74
SP571X W12L120 OC	1190 (±1.2) x 120 x 45	220-240V~	50Hz	2.34
SP570P W12L240 OD	2390 (±1.2) x 120 x 33	220-240V~	50Hz	4.40
SP570P W12L240 OC	2390 (±1.2) x 120 x 33	220-240V~	50Hz	3.80
SP571P W12L240 OD	2390 (±1.2) x 120 x 45	220-240V~	50Hz	5.60
SP571P W12L240 OC	2390 (±1.2) x 120 x 45	220-240V~	50Hz	5.10
SP570X W12L240 OD	2380 (±1.2) x 120 x 33	220-240V~	50Hz	4.35
SP570X W12L240 OC	2380 (±1.2) x 120 x 33	220-240V~	50Hz	3.75
SP571X W12L240 OD	2380 (±1.2) x 120 x 45	220-240V~	50Hz	5.54
SP571X W12L240 OC	2380 (±1.2) x 120 x 45	220-240V~	50Hz	5.04

Legend	
Abbreviation	Meaning
SP	Suspended Mounting
570	Down Version
571	Up-Down Version
P	Standalone Version
X	Continuous Version
OD	Opaque Version
OC	Prismatic Version
W12	Width 120mm
L120	Length 4 feet
L240	Length 8 feet

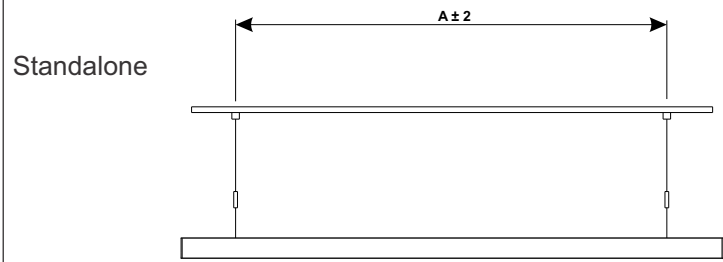
1 Suspension Cable adjustment

IMPORTANT: Do not force cable into adjuster. To insert cable into adjuster, follow the steps below.

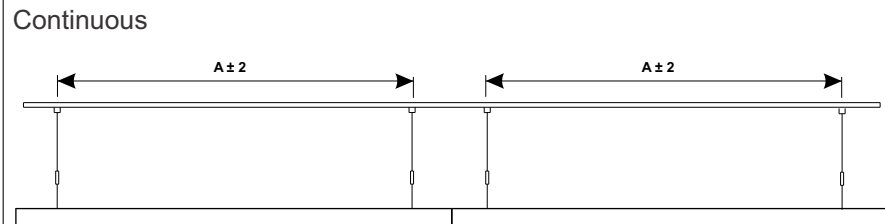


1. **CUT**
If required, cut cables ends cleanly prior to inserting into adjuster.
2. **INSERT**
Carefully insert cable from top end. if cable does not insert easily or becomes jammed, use the release tool to remove tool to remove cable. Trim cable ends again and repeat process. **DO NOT BEND OR LOOP CABLE BELOW BOTTOM OF ADJUSTER.**
3. **TEST**
Once cable is inserted, apply a 12Kg point load to each mount bracket to ensure all connections are secure.

2 Suspension Cable fixing location (recommended)



Standalone	No. of Suspensions	A
4' Version	2	800
8' Version	2	2080

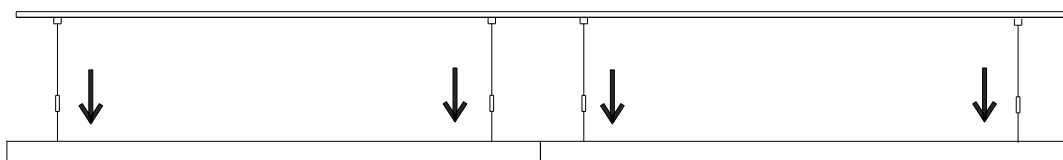
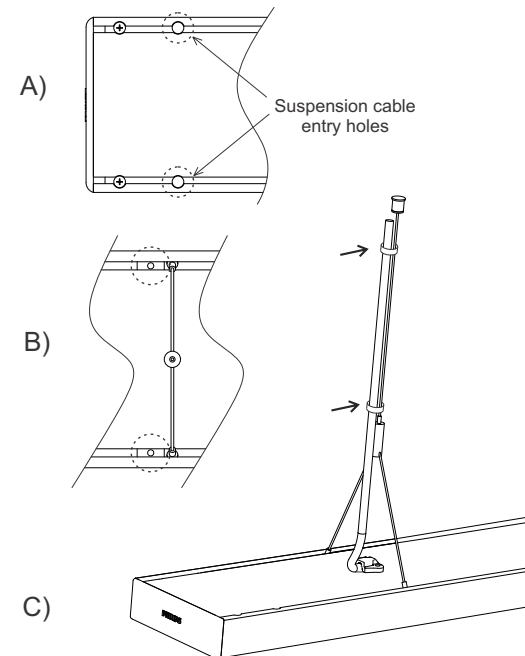


Continuous	No. of Suspensions	A
4' Version	2	800
8' Version	2	2080

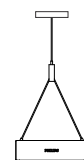
Supplied suspension cable length is 1m
All dimensions in mm

3 Luminaire mounting

- A) Fix the suspenders at the recommended distance.
Insert the cable at marked hole and slide the suspension along the groove.
- B) Tight the suspension cable stoppers on both sides after positioning the suspension cables.
- C) Remove the filament tape. Run the transparent cable along with suspension cable and fix at 2 locations with the help of cable holder. Do not keep transparent cable loose.



LEVEL VERTICALLY



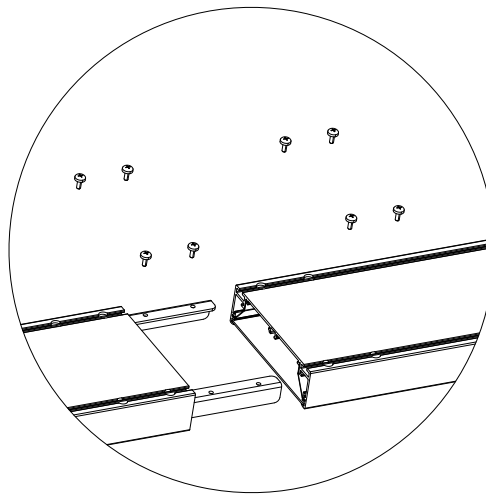
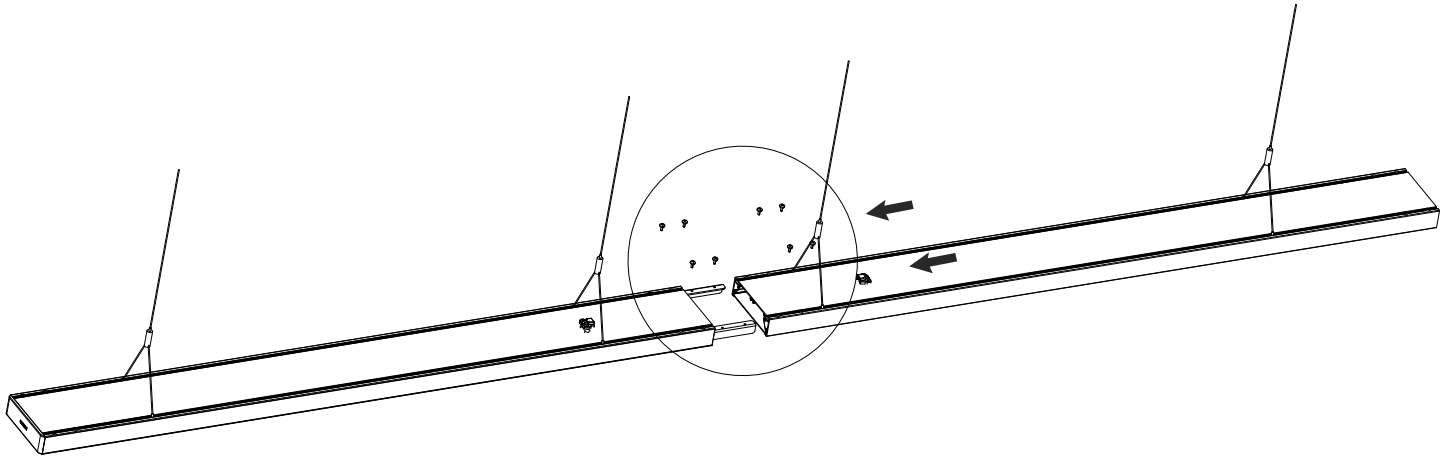
LEVEL HORIZONTAL

- D) Ensure fixture is level end to end. Support fixture from below and use adjuster release tool to make final height adjustments. Check level by spirit level in both the planes, Horizontal and Vertical.

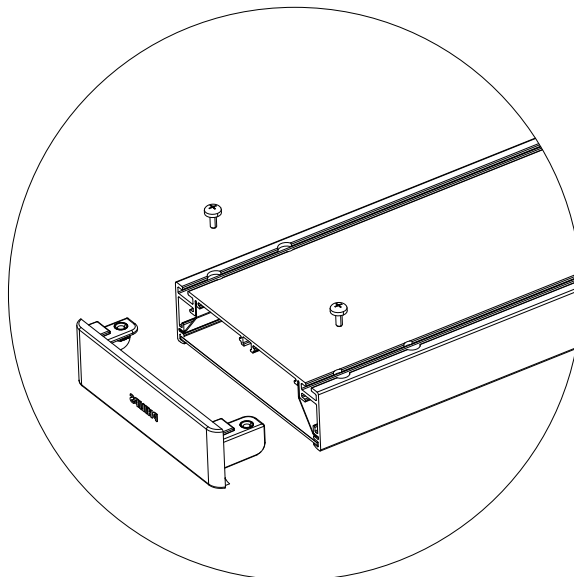
4 Joining of Luminaires - Continuous mounting

1) Fix the joining bracket at one end of fixed luminaire with M4x10 screws (x4).

2) Next suspended luminaire is connected in one movement as shown below and fix with M4x10 screws (x4).



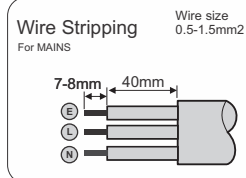
3) Fixing of end cap with first and end luminaire.



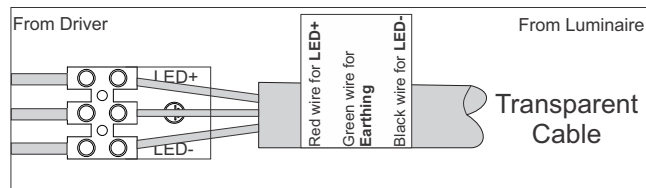
Supply Connection (Place Driver plate assembly behind the ceiling after connection)

Connect the transparent cable from luminaire with 3-Pole connector on driver output side, LED+, LED- (DC power supply), and earth connection.

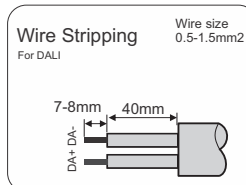
Connect mains supply cable (AC power) with the 3-Pole connector on the driver plate.(L-N-E)



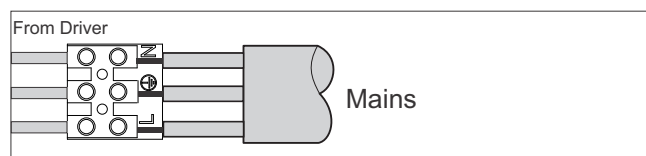
Connection - Luminaire to Driver (DC Power)



Insert 3 wires LED+, LED- & E(earth) in 3 Pole connector.

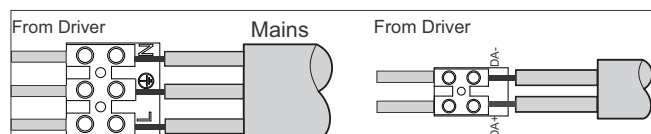


Mains Connections for PSU series



Insert 3 wires L, N, & E in 3 Pole connector.

Mains Connections for PSD series



Insert 3 wires L, N, & E in 3 Pole connector.

Insert 2 wires for Dali+ & Dali- in 2 Pole connector.

NOTE: DO NOT OPEN ANY OTHER SCREWS
(open only Connector screws)

Caution

1. "The light source of this luminaire is not replaceable. when the light source reaches its end of life the whole luminaire shall be replaced".



2. Do not stare at the operating light source.
3. If the external flexible cable or cord of this luminaire is damaged, it shall be exclusively replaced by the manufacturer or his service agent or a similar qualified person in order to avoid a hazard.

Warning



1. Choosing an appropriate fixing to suit the mounting surface is the responsibility of the installer.
2. The luminaire shall be installed by a qualified electrician and wired in accordance with the latest IEE electrical regulations or the national requirements.
3. The luminaire should be earthened properly for Safety and Performance.
4. Do not switch on before complete installation.

Maintenance

Ensure power supply is switched off before attempting any maintenance work.

The luminaire must be used within the applicable product specifications, installation instruction and environmental conditions for storage & operations according to application guidelines provided by Signify for product warranty to be valid.