



Technical Description	LEDs	Power/W (max.)	*Maximum Number of Luminaire on MCB 16A Type B	Inrush current	Factory Description
BRP391 70LED(70-140)	70	63	11 Non Dimming Version	7.4A/59.8 μs	BRP39X LEDaaa/bb cccW 220-240V dddd ee fff gg hh x=1 denotes small version housing, x=2 denotes middle version housing, x=3 denotes middle plus version housing, x=4 denotes large version housing;  aaa denotes rated lumen output E.g. aaa=150, the rated lumen output 15000lm  bb denotes colour temperature CW=Cool White NW=Neutral White WW=Warm White  ccc denotes rated system power E.g. ccc=150, the rated system power 150W  dddd denotes : Driver Type Driver Type: PSU/PSR/PSD/PSDD/nll  eee Type of insulation protection nll/ Class II Class II (40W ~ 160W)  fff Lens type: DM/DWI/DW2  gg PI or P7 NEMA socket  hh SR: Sensor ready socket
BRP391 75LED(70-140)	75	67			
BRP391 80LED(70-140)	80	70			
BRP391 85LED(70-140)	85	75			
BRP391 90LED(70-140)	90	80			
BRP392 100LED(70-140)	100	88			
BRP392 110LED(70-140)	110	96			
BRP392 120LED(70-140)	120	104			
BRP392 130LED(70-140)	130	113			
BRP392 140LED(70-140)	140	121			
BRP392 150LED(70-140)	150	130	6 Dimming version	92A/440 μs	
BRP392 160LED(70-140)	160	138			
BRP392 170LED(70-140)	170	150			
BRP392 180LED(70-140)	180	158			
BRP393 190LED(70-140)	190	166			
BRP393 200LED(70-140)	200	174			
BRP393 210LED(70-140)	210	183			
BRP393 220LED(70-140)	220	192			
BRP393 230LED(70-140)	230	200			
BRP393 240LED(70-140)	240	208			
BRP393 250LED(70-140)	250	217	5 Non Dimming Version	92A/440 μs	
BRP393 260LED(70-140)	260	225			
BRP394 270LED(70-140)	270	234			
BRP394 280LED(70-140)	280	242			
BRP394 290LED(70-140)	290	251			
BRP394 300LED(70-140)	300	259			
BRP394 310LED(70-140)	310	268			
BRP394 320LED(70-140)	320	276			
BRP394 330LED(70-140)	330	285			
BRP394 340LED(70-140)	340	300			3 Dimming Version
BRP394 350LED(70-140)	350	308			
BRP394 360LED(70-140)	360	316			

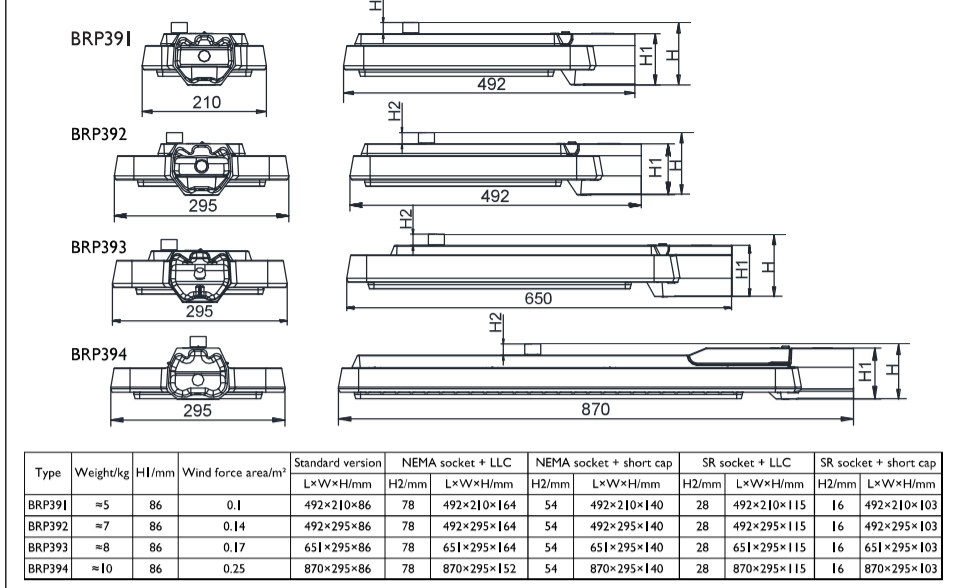
Signify (China) Investment Co., Ltd.  
Building No. 9, Lane 888 Tianlin  
Road, Minhang District, Shanghai,  
China Postcode: 200233

Data subject to change without notice



Philips and the Philips shield emblem are registered trademarks of Koninklijke Philips N.V.

Product Size



Type	Weight/kg	H1/mm	Wind force area/m²	Standard version L×W×H/mm	NEMA socket + LLC H2/mm L×W×H/mm	NEMA socket + short cap H2/mm L×W×H/mm	SR socket + LLC H2/mm L×W×H/mm	SR socket + short cap H2/mm L×W×H/mm
BRP391	≈5	86	0.1	492×210×86	78 492×210×164	54 492×210×140	28 492×210×115	16 492×210×103
BRP392	≈7	86	0.14	492×295×86	78 492×295×164	54 492×295×140	28 492×295×115	16 492×295×103
BRP393	≈8	86	0.17	651×295×86	78 651×295×164	54 651×295×140	28 651×295×115	16 651×295×103
BRP394	≈10	86	0.25	870×295×86	78 870×295×152	54 870×295×140	28 870×295×115	16 870×295×103

