



# MASTER SON PIA Plus

## MASTER SON PIA Plus 100W/220 E40 1SL/12

High Pressure Sodium lamp with opalized ovoid outer bulb, high output and long reliable lifetime

### Warnings and Safety

- Control gear must include end-of-life protection (IEC60662, IEC 62035)
- A lamp breaking is extremely unlikely to have any impact on your health. If a lamp breaks, ventilate the room for 30 minutes and remove the parts, preferably with gloves. Put them in a sealed plastic bag and take it to your local waste facilities for recycling. Do not use a vacuum cleaner.

### Product data

General Information	
Cap-Base	E40
Operating Position	UNIVERSAL [Any or Universal (U)]
Flux measurement reference	Sphere
Life to 50% Failures (Nom)	29,000 hour(s)

Light Technical	
Color Code	220 [CCT of 2000K]
Luminous Flux	9,600 lm
Chromaticity Coordinate X (Nom)	0.535
Chromaticity Coordinate Y (Nom)	0.42
Correlated Color Temperature (Nom)	2000 K
Luminous Efficacy (rated) (Nom)	95 lm/W
Color rendering index (CRI)	-

Operating and Electrical	
Power Consumption	101.0 W

Voltage (Nom)	100 V
---------------	-------

Controls and Dimming	
Dimmable	Yes

Mechanical and Housing	
Bulb Finish	Coated glass
Bulb Shape	B75
Net Weight (Piece)	0.125 kg

Approval and Application	
Energy Efficiency Class	F
Mercury (Hg) Content (Max)	16.3 mg
Mercury (Hg) Content (Nom)	16.3 mg
Energy Consumption kWh/1000 h	101 kWh
EPREL Registration Number	473388

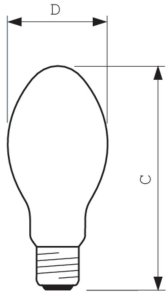
# MASTER SON PIA Plus

## Product Data

Order product name	MASTER SON PIA Plus 100W/220 E40 1SL/12
Full product name	MASTER SON PIA Plus 100W/220 E40 1SL/12
Full product code	871150018225815
Order code	928151608827
Material Nr. (12NC)	928151608827

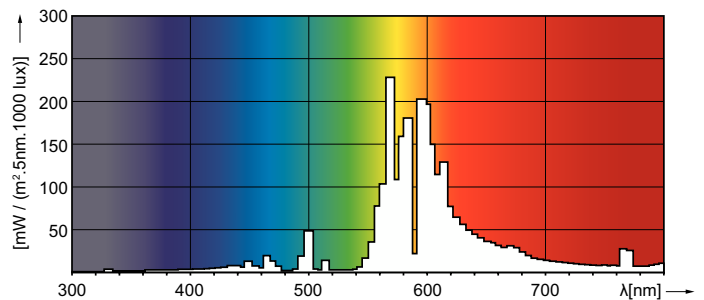
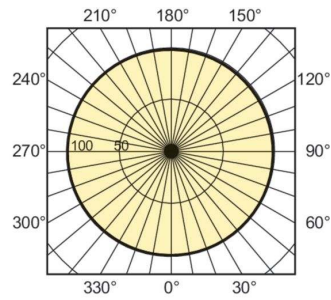
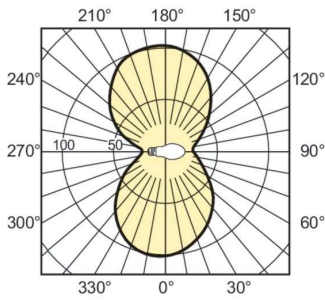
Numerator - Quantity Per Pack	1
EAN/UPC - Product/Case	8711500182258
Numerator - Packs per outer box	12
EAN/UPC - Case	8711500182265

## Dimensional drawing



Product	D (max)	C (max)
MASTER SON PIA Plus 100W/220 E40 1SL/12	76 mm	186 mm

## Photometric data

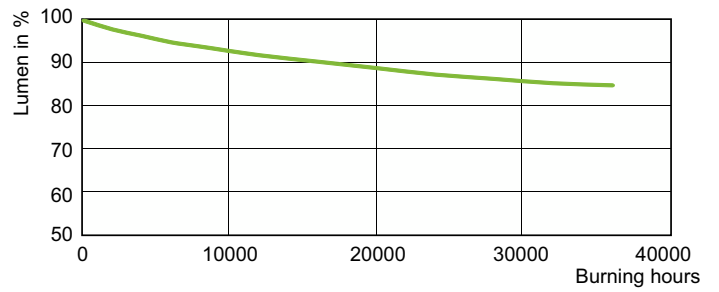
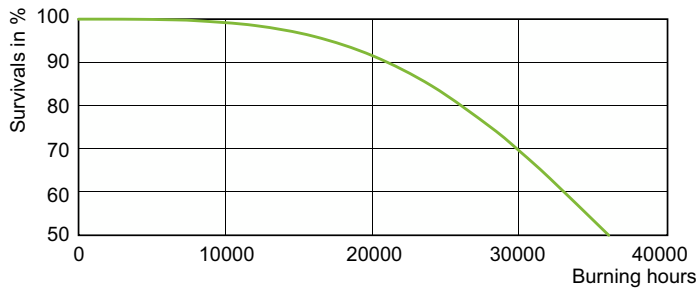


Light Distribution Diagram - MASTER SON PIA Plus 100W/220 E40 1SL/12

Spectral Power Distribution Colour - MASTER SON PIA Plus 100W/220 E40 1SL/12

# MASTER SON PIA Plus

## Lifetime



LDLE\_SON-PIA\_0002-Life expectancy diagram

Lumen Maintenance Diagram - MASTER SON PIA Plus 100W/220 E40 1SL/12

