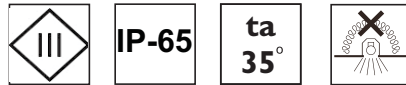
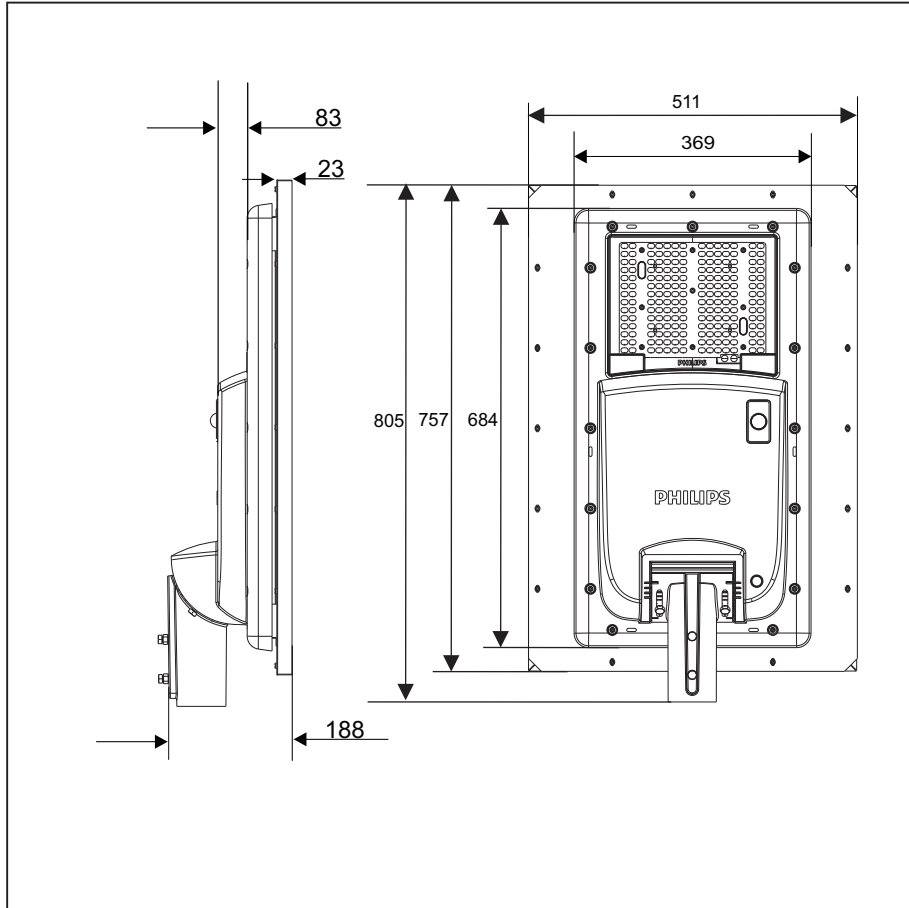
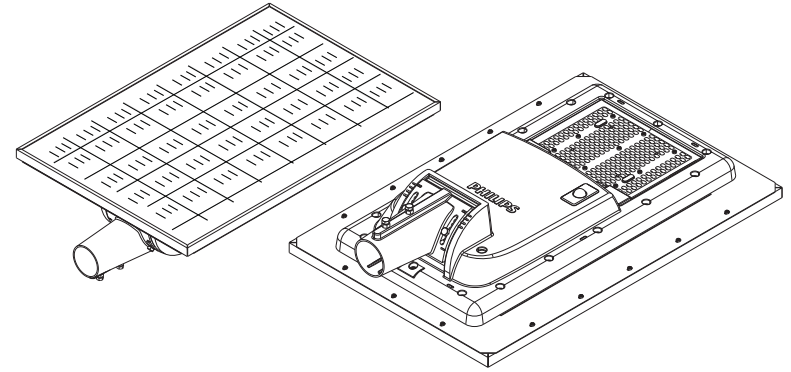


Installation Instruction

Dimensions



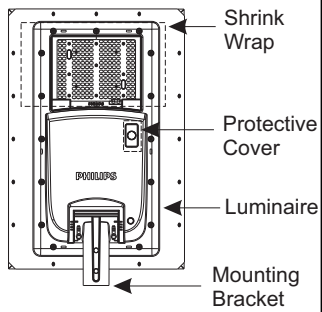
Solar Street Luminaire



4415 109 22980

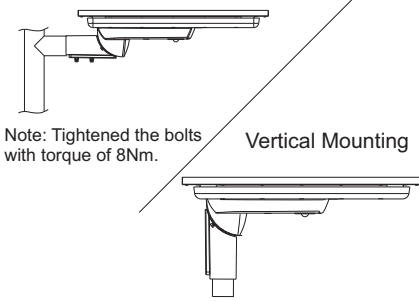
Type	: BRP710
Lamp	: LED(4500 lumen)
Voltage	: 12.8 V DC
IP Classification	: IP 65
Net Weight	: 19 Kg
Max. Projected Area	: 0.411 m <sup>2</sup>
Application	: Solar Street Light

1 Take the product out of the packing box.



Note: Remove Shrink Wrap and Protective cover before installation.

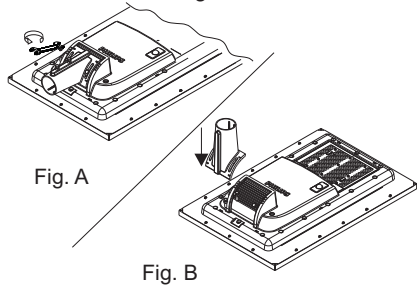
2 Mount the luminaire with the Pole.  
Horizontal Mounting



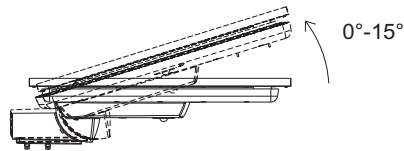
Note: Tightened the bolts with torque of 8Nm.

Pole Dia:50 to 60mm

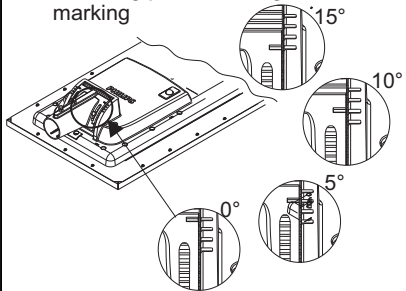
3 For Vertical Mounting installation  
Unscrew the Screw and remove the pole Mounting Bracket and assemble it as shown in Fig. B.



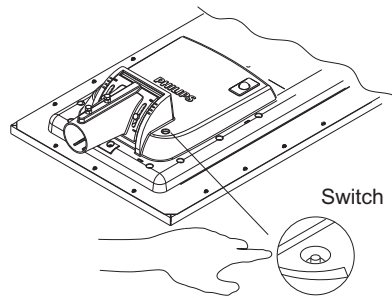
4 Below mentioned inclinations are possible.  
0°,5°,10°,15°.



5 For accurate angle positioning, marks are made over the clamping position of the luminaire. Match the pole mounting piece marking with luminaire marking



6 To switch ON the luminaire Press the switch button shown in below figure.



### Precaution:

1. This luminaire will not operate below 0 degree ambient.
2. Maximum installation height is 5m.
3. Before installation check the luminaire by pressing the switch and make sure that it is glowing.
4. After three months of manufacturing it is necessary to check the glowing of the luminaire, if it is not working then contact to customer care.
5. The Light source of this luminaire is not replaceable; when the light source reaches its end of life the whole luminaire shall be replaced.

\* Note - Representation product images and actual product may vary based on versions