



MASTER LEDtube EM/ Mains T8

MASTER LEDtube 1800mm 25W 840 T8 ROT

The Philips MASTER LEDtube integrates a LED light source into a traditional fluorescent form factor. Its unique design creates a perfectly uniform visual appearance, which cannot be distinguished from traditional fluorescent. These T8 LED tubes are the right choice for absolute performance and are designed to stand up to everyday conditions. Unparalleled savings thanks to low energy consumption and an exceptionally long lifetime ensure this tube masters every demanding application.

Warnings and Safety

- NOTE: The overall energy efficiency and light distribution of any installation that uses these lamps will be determined by the design of the installation.

Product data

General Information		Color Consistency	
Cap-Base	G13 [Medium Bi-Pin Fluorescent]	Color Consistency	<6
Nominal lifetime	50,000 hour(s)	Color rendering index (CRI)	83
Switching Cycle	50,000	LLMF At End Of Nominal Lifetime (Nom)	70 %
Lighting Technology	LED	Operating and Electrical	
EU RoHS compliant	Yes	Line Frequency	50 to 60 Hz
Light Technical		Input Frequency	50 to 60 Hz
Color Code	840 [CCT of 4000K]	Power Consumption	25 W
Beam Angle (Nom)	160 degree(s)	Starting Time (Nom)	0.5 s
Luminous Flux	3,700 lm	Warm-up time to 60% light	Instant full light s
Color Designation	Cool White (CW)	Power Factor (Fraction)	0.9
Correlated Color Temperature (Nom)	4000 K	Voltage (Nom)	220-240 V
Luminous Efficacy (rated) (Nom)	148.00 lm/W		

MASTER LEDtube EM/Mains T8

Temperature

Ambient temperature range	-5 °C to 30 °C
T-Case Maximum (Nom)	61 °C

Controls and Dimming

Dimmable	No
----------	----

Mechanical and Housing

Product Length	1,800 mm
Bulb Shape	T8

Approval and Application

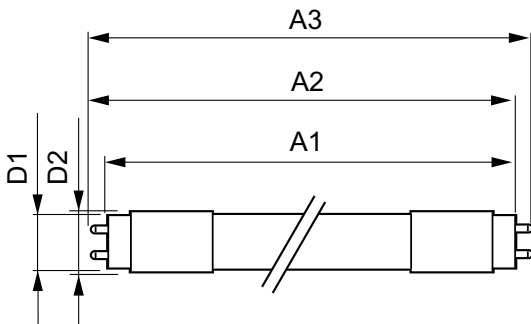
Energy Saving Product	Yes
Suitable For Accent Lighting	No
Approval Marks	CE marking RoHS compliance KEMA Keur certificate

Energy Consumption kWh/1000 h	25 kWh
-------------------------------	--------

Product Data

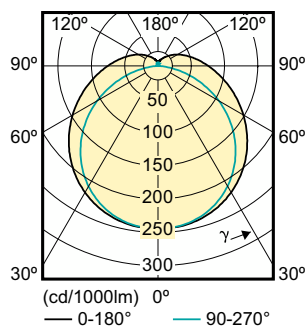
Order product name	MASTER LEDtube 1800mm 25W 840 T8 ROT
Full product name	MASTER LEDtube 1800mm 25W 840 T8 ROT
Full product code	871869648037300
Order code	929001161102
Material Nr. (12NC)	929001161102
Numerator - Quantity Per Pack	1
EAN/UPC - Product/Case	8718696480373
Numerator - Packs per outer box	10
EAN/UPC - Case	8718696480380

Dimensional drawing



Product	D1	D2	A1	A2	A3
MASTER LEDtube 1800mm 25W 840 T8 ROT	25.68 mm	28 mm	1,762.5 mm	1,770 mm	1,776.7 mm

Photometric data



Light Distribution Diagram - MASTER LEDtube 1800mm 25W 840 T8 ROT



Spectral Power Distribution Colour - MASTER LEDtube 1800mm 25W 840 T8 ROT

MASTER LEDtube EM/Mains T8

