



Twistline GU10

BC50GU10/HAL/TL 120V 6/3

Bright, white accent light with superior energy savings. Philips Twistline GU10 Philips Halogen Twistline MR16 with GU10 base provide bright white accent light. The twist and lock base enables easy installation and a secure fit. Suited for track and recessed lighting applications.

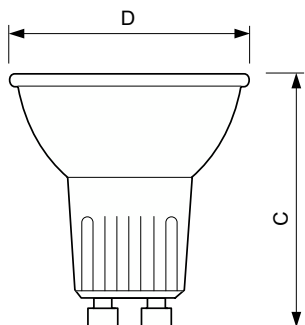
Product data

General Information	
Cap-Base	GU10 [GU10]
Operating Position	UNIVERSAL [Any or Universal (U)]
Nominal lifetime	2,000 hour(s)
Rated Lifetime (Hours)	2,000 hour(s)
Lighting Technology	Halogen
Light Technical	
Beam Angle (Nom)	25 degree(s)
Correlated Color Temperature (Nom)	2800 K
Color rendering index (CRI)	100
Operating and Electrical	
Power Consumption	50 W
Starting Time (Nom)	0.0 s
Voltage (Nom)	120 V
Voltage (Nom)	120 V

Controls and Dimming	
Dimmable	Yes
Mechanical and Housing	
Bulb Finish	Clear
Bulb Shape	MR16 [2inch/50mm]
Product Data	
Order product name	BC50GU10/HAL/TL 120V 6/3
Full product name	BC50GU10/HAL/TL 120V 6/3
Order code	925691836309
Material Nr. (12NC)	925691836309
Numerator - Quantity Per Pack	1
EAN/UPC - Product/Case	046677415792
Numerator - Packs per outer box	6
EAN/UPC - Case	50046677415797

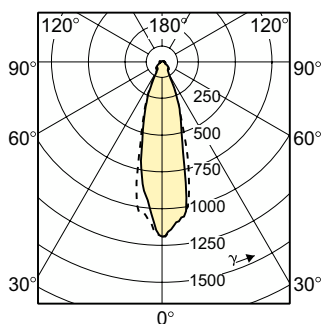
Twistline GU10

Dimensional drawing



Product	D (max)	C (max)
BC50GU10/HAL/TL 120V 6/3	51 mm	53 mm

Photometric data



Light Distribution Diagram - BC50GU10/HAL/TL 120V 6/3

