



Ledinaire floodlight

BVP155 LED210/840 PSU 200W VWB CE

LED module 20000 lm - 840 neutral white - Power supply unit
 - Very wide beam angle 100°

This popular range of off-the-shelf floodlighting luminaires offers Philips high quality standards at a very competitive price. Reliable, energy efficient and affordable, Ledinaire is the perfect solution for a wide range of outdoor applications, from building façades and retail stores to billboards, underpasses and garden lighting.

Product data

General Information	
Lamp family code	LED200 [LED module 20000 lm]
Light source color	840 neutral white
Light source replaceable	No
Number of gear units	-
Driver/power unit/transformer	Power supply unit
Driver included	Yes
Optical cover/lens type	Clear glass
Luminaire light beam spread	100°
Control interface	-
Connection	Flying leads/wires
Cable	Cable 1.0 m without plug
Protection class IEC	Safety class I
Flammability mark	-
CE mark	CE mark
ENEC mark	-
Warranty period	3 years
Optic type outdoor	Very wide beam angle 100°

Constant light output	No
Number of products on MCB of 16 A type B	11
EU RoHS compliant	Yes
Light source engine type	LED

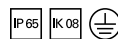
Light Technical	
Upward light output ratio	0
Standard tilt angle posttop	0°
Standard tilt angle side entry	0°

Operating and Electrical	
Input Voltage	220 to 240 V
Input Frequency	50 or 60 Hz
Initial CLO power consumption	- W
Average CLO power consumption	- W
End CLO power consumption	- W
Inrush current	3.28 A
Inrush time	0.0263 ms

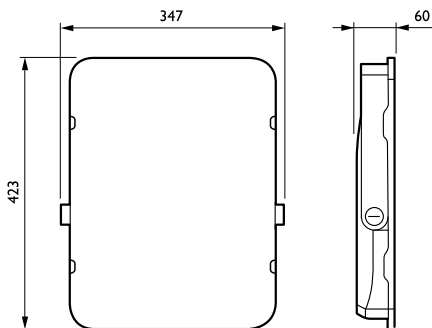
Ledinaire floodlight

Power Factor (Min)	0.9
Controls and Dimming	
Dimmable	No
Mechanical and Housing	
Housing Material	Aluminum die cast
Reflector material	Polycarbonate
Optic material	Polycarbonate
Optical cover/lens material	Glass
Fixation material	Steel
Mounting device	Mounting bracket adjustable
Optical cover/lens shape	Flat
Optical cover/lens finish	Clear
Overall length	347 mm
Overall width	60 mm
Overall height	423 mm
Effective projected area	0.14 m ²
Color	Aluminum and gray
Dimensions (Height x Width x Depth)	423 x 60 x 347 mm (16.7 x 2.4 x 13.7 in)
Approval and Application	
Ingress protection code	IP65 [Dust penetration-protected, jet-proof]
Mech. impact protection code	IK08 [5 J vandal-protected]
Surge Protection (Common/Differential)	Luminaire surge protection level until 4 kV differential mode and 4 kV common mode
Initial Performance (IEC Compliant)	
Initial luminous flux (system flux)	21000 lm

Luminous flux tolerance	+/-10%
Initial LED luminaire efficacy	105 lm/W
Init. Corr. Color Temperature	4000 K
Init. Color Rendering Index	80
Initial chromaticity	<7 SDCM
Initial input power	200 W
Power consumption tolerance	+/-10%
Init. Color Rendering Index Tolerance	+/-2
Over Time Performance (IEC Compliant)	
Control gear failure rate at median useful life	10 %
50000 h	
Lumen maintenance at median useful life*	L70
50000 h	
Application Conditions	
Ambient temperature range	-25 to +40 °C
Maximum dim level	Not applicable
Product Data	
Full product code	871016333127099
Order product name	BVP155 LED210/840 PSU 200W VWB CE
EAN/UPC - Product	8710163331270
Order code	911401733292
Numerator - Quantity Per Pack	1
Numerator - Packs per outer box	2
Material Nr. (12NC)	911401733292
Net Weight (Piece)	5.610 kg



Dimensional drawing



BVP155 LED210/840 PSU 200W VWB CE

Ledinaire floodlight

