



Why Philips for LED lamps?

Name | date



PHILIPS

Why Philips for LED lamps?



Best Products



Quality

Transformer Compatibility

Dimmer Compatibility

Quality of LED light - Color consistency

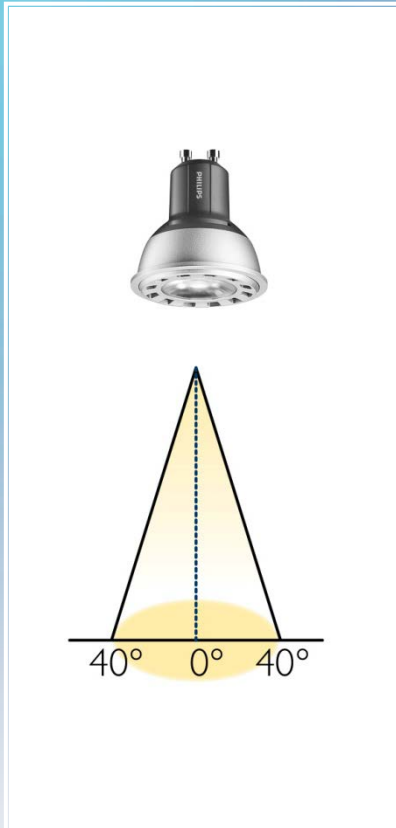


Our MASTER LEDlamps range provides you with consistency in color of light ..

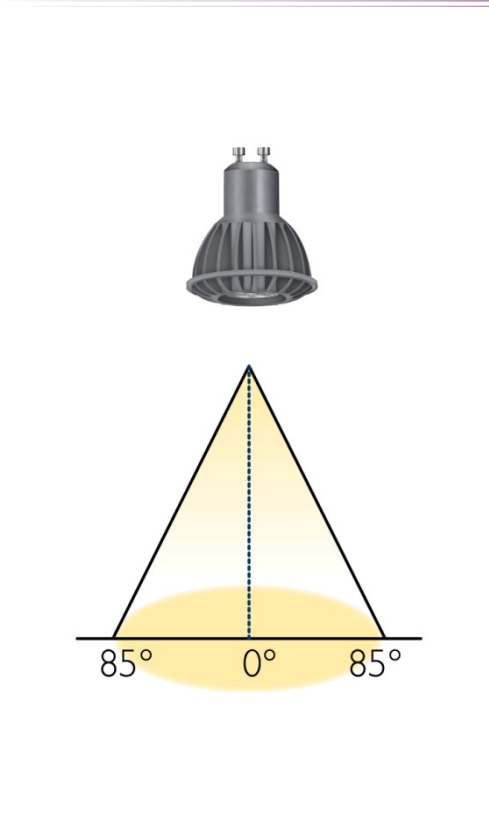


.. and no unpleasant surprises in the application.

Quality of LED light - Uniform beam angle



Our MASTER LEDlamps range provides you with a uniform, directional beam of light ..



.. and no waste of light in places where you don't want light.



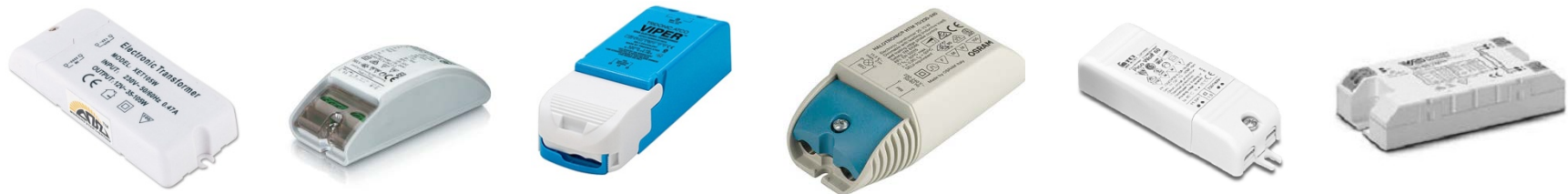
Transformer compatibility

Our range of LED lamps offers

MAXITRANSFORMER[®]

compatibility

Philips designed a unique intelligent driver concept for low voltage LED lamps, which enables broad compatibility with existing transformers.



High Performance Dimming

Our range of LED lamps offers

DIMMER

compatibility

Enjoy smooth, flicker-free dimming with our MASTER LEDlamps. Compatible with all the major dimmer brands in the market.



BUSCH-JAEGER

 **legrand**[®]

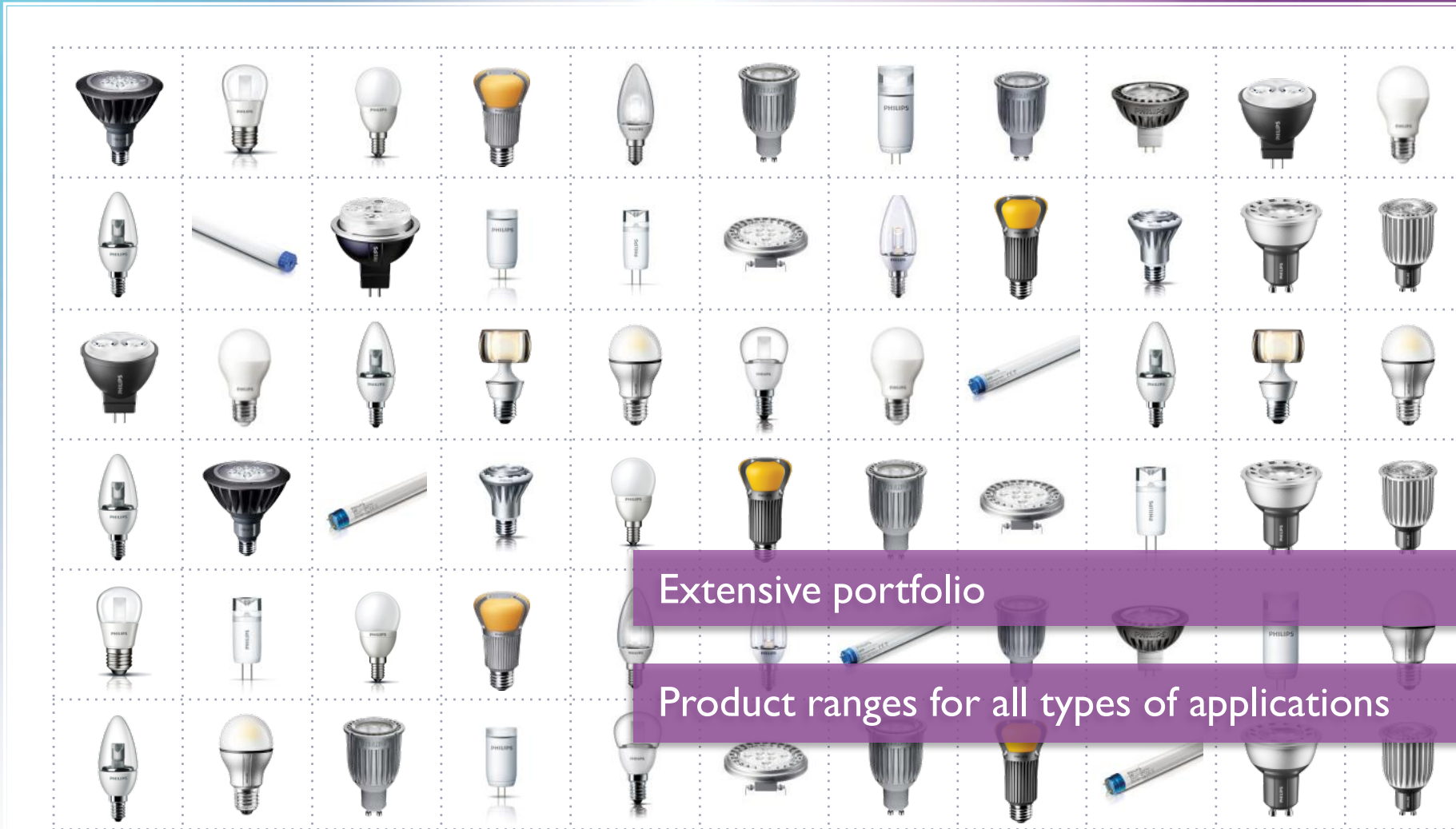


ABB

bticino

For the full dimmer list please visit: www.philips.com/masterledlamps

Best Portfolio



An extensive product portfolio for all types of applications



Best Partner



For End-users

For Installers

What end-users say:



“ The actual results we obtained following the renovation have exceeded our expectations. We now have a supermarket equipped with the best lighting technology on the market that is, in return, producing energy savings of 60% compared with the installation we had previously. We can now be proud as we are having the most efficiently lit supermarket in the whole world of the Valencian Community.”

Javier Martínez Huedo

Director Maintenance Division

Development Department Consum Supermarkets

Valencia, Spain

We have a [customer service line](#) for each country

What end-users say:



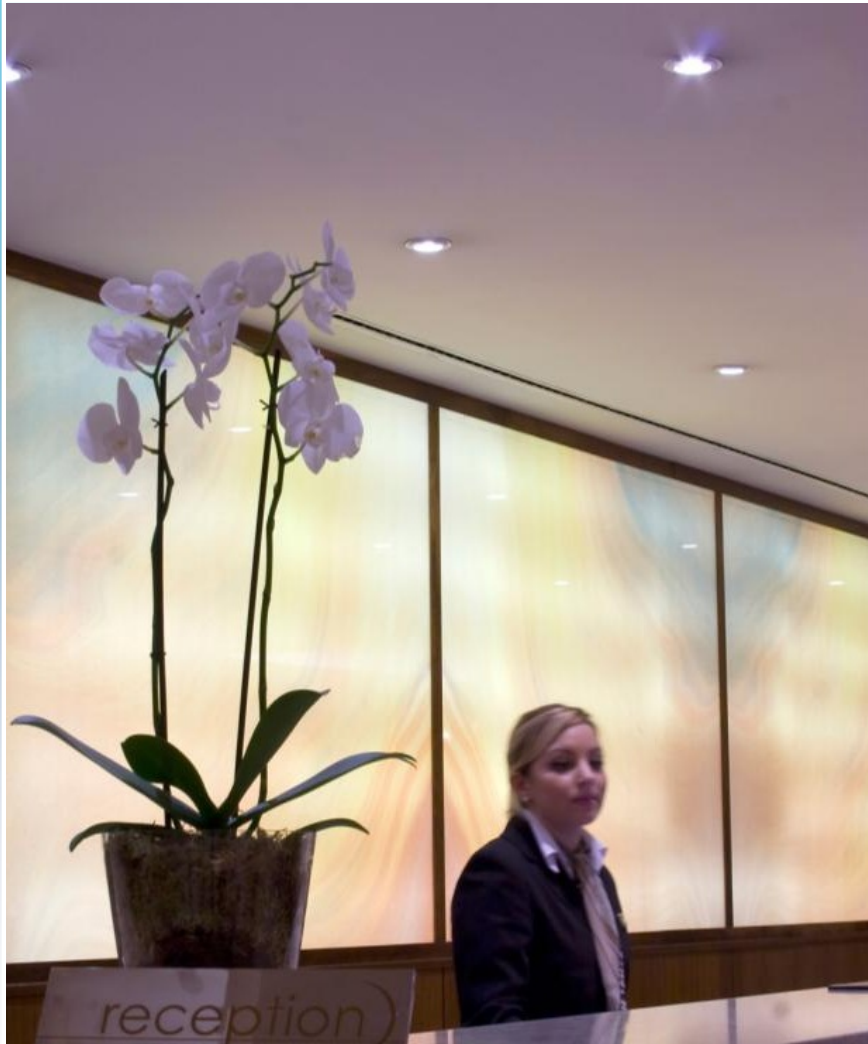
“ In the end we had most confidence in the MASTER LEDtubes from Philips as an alternative to the standard fluorescent lamps. They were tested extensively before they were introduced and they are particularly suitable for this application because they generate less heat. Indeed, with fluorescent lamps the gas in the light source actually has to be heated up in order to produce light. And that is far from ideal in a freezing environment. ”

Nico Nijssen

Technical Manager Oerlemans Foods Nederland B.V
Venlo, Netherlands

We have a [customer service line](#) for each country

What installers say:



“ I believe in Philips LED products, their performance allows us to differentiate our company from the others and provide our customers with a leading-edge technology. And for me it has the advantage of being reliable, aesthetic and easy to install.”

Alain Nicolas

Electrical installer, owner of NICOLAS
Member of the CI000 Philips installer club
Paris, France

We have a [customer service line](#) for each country

Why Philips for LED lamps?

Best Product

- Quality
- Transformer compatibility
- Dimmer compatibility

Best Portfolio

- Extensive portfolio
- Product ranges for all types of applications

Best Partner

- For installers
- For end-users